

Operating manual

High pressure cleaners

B 13/150

B 10/200

B 16/220

B 20/200

B 16/250



Read and conform safety instructions before use!

Keep instructions in a safe place for later use and pass them on to any future user.



Description

Dear Customer

We would like to congratulate you on your new portable/mobile high pressure cleaner and to thank you for the purchase.

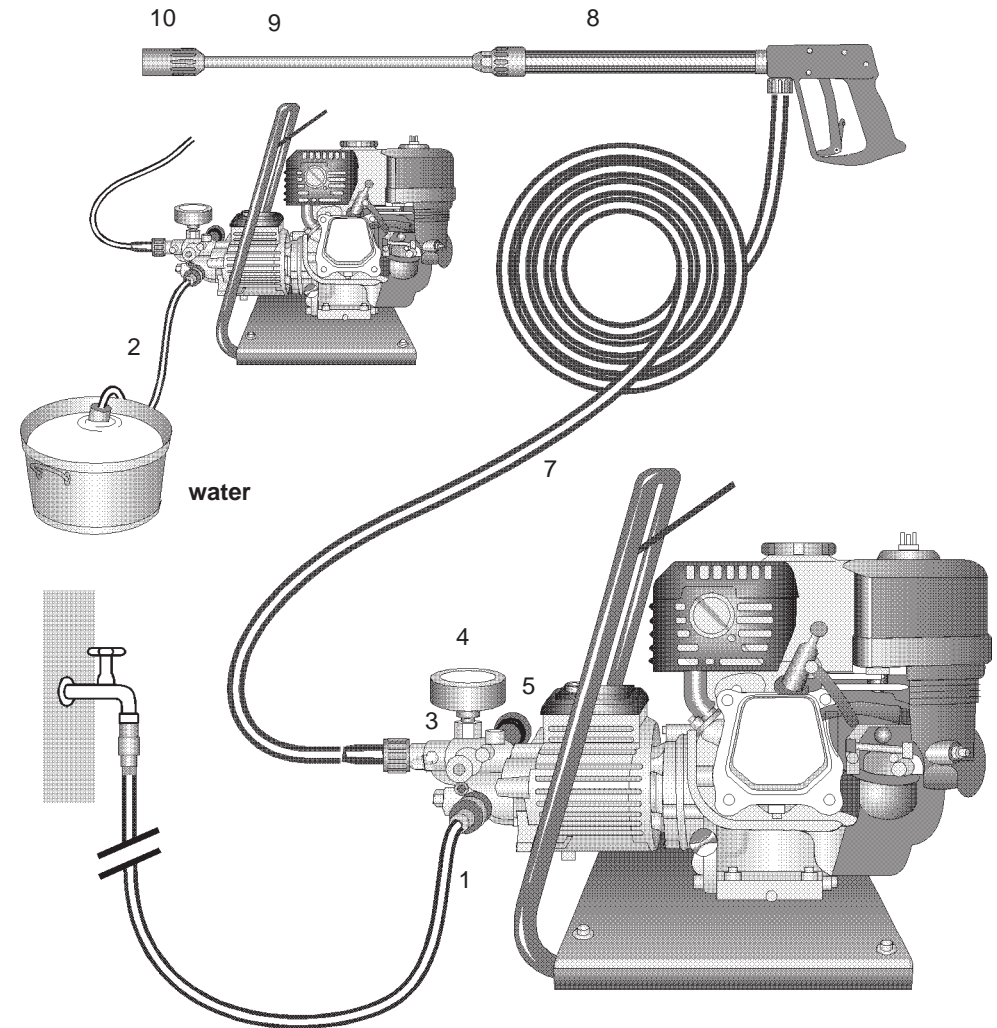
To ease your introduction to the use of the cleaner, we have provided the following pages of explanations, tips and hints.

The equipment will assist you professionally in all cleaning tasks, e.g.:

- facades **- vehicles of oil types** **- barrels and containers**
- flagstones** - sheds **- machines**
- terraces** **- channels** **- streets**

technical specifications	B 10/200	B 13/150	B 16/220	B 16/250	B20/200
operating pressure, steplessly adjustable	10 - 200 bar	10 - 150bar	10 - 220 bar	10 - 250 bar	30 - 200 bar
permissible overpressure	220 bar	165 bar	240 bar	270 bar	220 bar
water output	10 l/min	13 l/min	16 l/min	16 l/min	20 l/min
hot water input up to	60 °C	60 °C	60 °C	60 °C	60 °C
suction height	1,0 m	2,5 m	2,5 m	2,5 m	2,5 m
high pressure hose with hose drum	10 m	10 m	10 m	10 m	10 m
		15 m	15 m	15 m	15 m
engine	GX 200 LX2	GX 160 LX2	GX 340 LX2	GX 390 LX2	GX 390 LX2
weight	22 kg	24 kg	26kg	26 kg	71 kg
Guaranteed sound level L_w	103 dB (A)	103 dB (A)	103 dB (A)	103 dB (A)	103 dB (A)
^A Vibrations at lance	ca. 32 Nm	ca. 27 Nm	ca. 38 Nm	ca. 38 Nm	ca. 42 Nm
recoil at lance	2,1 m/s ²	2,1 m/s ²	2,2 m/s ²	2,2 m/s ²	36 Nm
order No.					
portable	41.182				
with undercarriage		41.170	41.173 2	41.186	41.187
with undercarriage and hose drum	41.182 1	41.170 1	41.173 2*	41.186 1*	41.187 1*
with speed control *	41.182 2	41.170 2	41.173 3*	41.186 2*	41.187 2*

Description



Construction

The KRÄNZLE B 10/200 + B 13/150 + B 16/220 + B 16/250 + B 20/200- high pressure cleaners are portable/mobile machines. The design can be seen from the diagram.

Item

- 1 Water inlet connection with filter
- 2 Suction hose with filter
- 3 High pressure pump
- 4 Pressure gauge with glycerin filling
- 5 Unloader valve - safety valve
- 7 High pressure hose
- 8 Spray gun assembly
- 9 Interchangeable lance
- 10 Regulator nozzle
- 10a B10/200 only with dirt-killer

Description

Water - and Cleang - Care System

Water can be connected at mains pressure to the high pressure pump or it can be sucked directly from a storage tank.

The water is then forced under pressure by the high pressure pump to the lance. The high pressure jet is formed by the nozzle at the end of the lance.

Cleaning and caring agents can be mixed with the water by a low pressure injector. (not with B10/200)



Environmental, refuse disposal and water protection regulations must be observed !

Lance with trigger gun

The machine can only be operated when the safety trigger is squeezed.

When the lever ist squeezed, the spray gun opens. The liquid is then pumped to the nozzle. The spray pressure increases and quickly reaches the selected operating pressure.

When the trigger ist released, the trigger gun closes and any further spraying of liquid from the lance ist stopped.

The increase in pressure when the trigger gun is closed causes the unloader valve-safety valve to open. The pump remains switched on and continues to pump liquid through the pump at reduncated pressure.

When the trigger gun ist opened, the unloader valve - safety valve closes and the pump ressumes pressure spraying from the lance.



The trigger gun is a safety device. Repairs should only be performed by qualified persons. Should replacement parts be required, use only components authorized by the manufacturer.

Unloader valve - safety valve

The unloader valve - safety valve protects the machine from a build-up of excess pressure, and is designed not to permit an excess pressure to be selected for operating. The limit nut on the handle is sealed with a spray coating.

The operating pressure and spray rate can be steplessly adjusted by tuning the handle.



Replacements, repairs, new adjustments and sealing should only be performed by qualified persons.

Description



For the motor follow the Honda operating manual only.

Motor-safety:
(see Honda operating manual)

Honda motors are safe and reliable if they are operated correctly. Read the operating manual carefully before using the motor and try to understand the contents of the manual completely.

Not following this advice could lead to injuries or damage of the equipment.



To avoid a possible fire hazard and to ensure the necessary ventilation the motor has to be operated at a distance of at least 1 m from buildings and objects. Inflammable objects have to be kept away from the surrounding area of the motor.

Children and pets have to be kept away from the motor, as there is a danger of suffering burns from hot motor parts and to be injured by equipment driven by the motor.

Get to know the motor and especially learn how to switch it off quickly. Do not allow persons to operate the motor who are not familiar with it.

Setting up: Location



Neither set up and operate the machine in rooms where there is a risk of fire or explosion nor put it into puddles. Do not use the machine under water.

CAUTION !



Never use liquid containing solvents such as paint thinners, petrol, oil or similar liquid matter. Pay attention to the instructions of the manufacturers of the cleaning agents. The seals in the machine are not resistant to solvents. The spray of solvents is inflammable, explosive and poisonous.

CAUTION !



When running your high pressure cleaner with hot water of 70° C raised temperatures occur. Do not touch the machine without safety gloves.

Description



Brief operating instructions

1. Connect the high pressure hose with spray gun and machine.
2. Connect the suitable water supply.
3. Flush the air from the pump (open and close the spray gun several times).
4. Switch on the motor while the spray gun is open and commence cleaning.
5. After completing the work, completely empty the pump (switch the motor on for approximately 20 seconds without the suction and pressure hose).
Afterwards you can roll up the high pressure hose.
- Only use clean water ! Protect from frost !

CAUTION !

Please pay attention to the regulations of your waterworks company.

In accordance with DIN 1988, the machine may not be directly connected to the public drinking water supply lines.

A brief connection however is permissible according to DVGW (German Association for Gas and Water Affairs) if a tube ventilator with check valve (KRÄNZLE Order-No. 41.016 4) is built into the water supply.

Also indirect connection to the public drinking water supply lines is permissible by way of free emission in accordance with DIN 1988, part 4; e.g. by using a reservoir with a float valve.

Direct connection to a non-drinking water supply line is permissible.

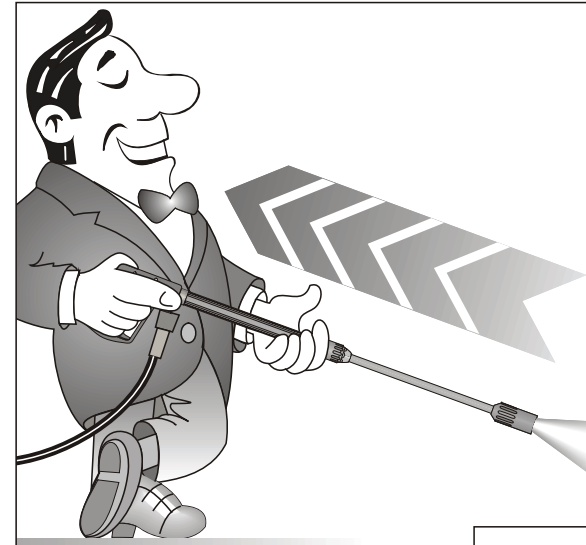
High pressure hose and spray device

The high pressure hose and spray device supplied with the machine are made of high grade material, they are also optimized for the machine and marked as required by the appropriate regulations.

If replacement parts are required, only such parts that are authorized by the manufacturer and which bear the markings required by the appropriate regulations may be used. The high pressure hose and spray device must be connected in a pressure-tight manner. The high pressure hose may not be driven over, pulled excessively, or twisted. The hose may under no circumstances be pulled over sharp edges, since otherwise the guarantee is automatically void.

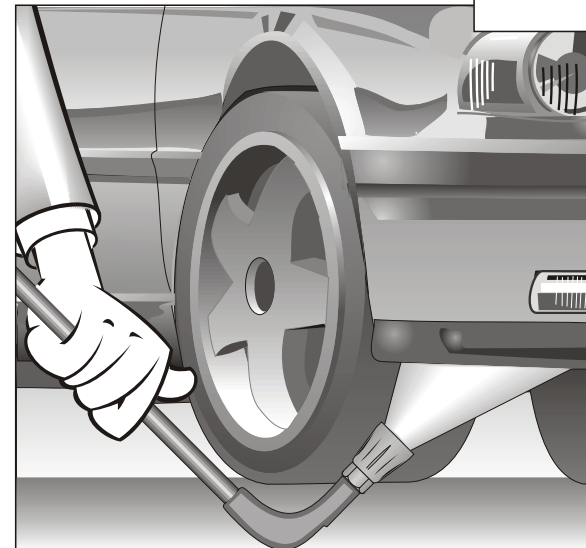
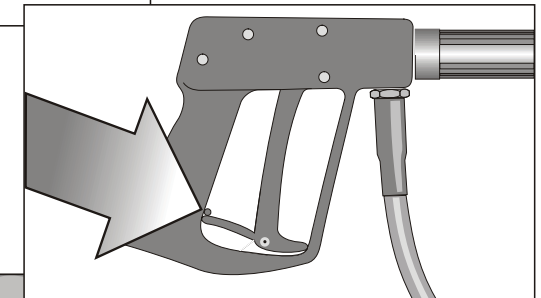


Safety notes



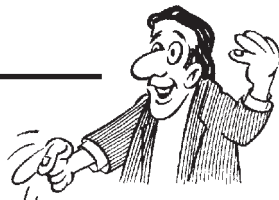
As to the recoil - see notice on page 2.

Apply the safety catch on the spray gun after each use, in order to prevent unintentional spraying.



Always aim the underbody lance. Note when using an angle underbody lance, like for example lance No. 41.075, that there is a certain amount of torque (twisting motion) in the recoil. (See also notice on page 2).

This is what you've purchased :



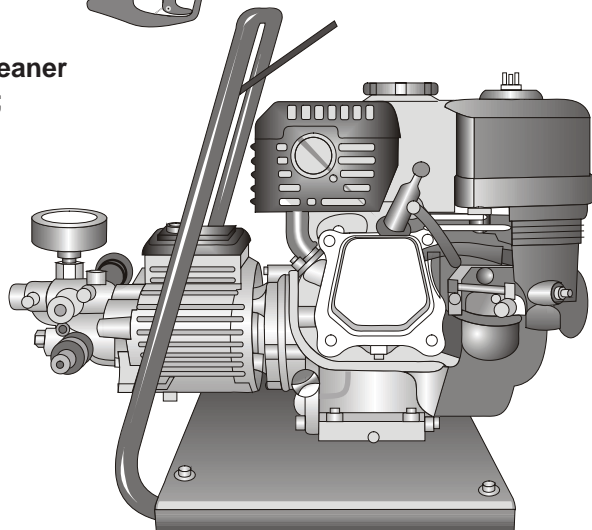
1. Spray lance with regulator and high pressure nozzle, flat spray (B10/200 only with dirt-killer, vario-jet)



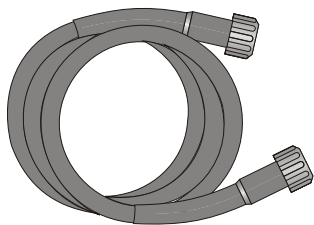
2. Spray gun with insulated pistol grip and screw connection



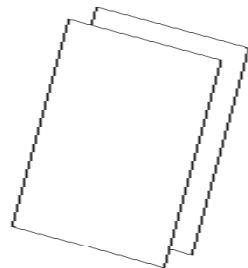
3. KRÄNZLE - High pressure cleaner
B 10/200; B 13/150; B 16/220;
B 16/250; B 20/200



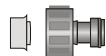
4. High pressure hose 10 m
15 m HP-hose for cleaners
with hose drum



5. Operating instructions pump
Operating instructions motor

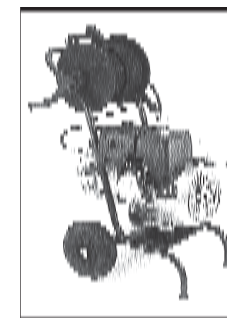
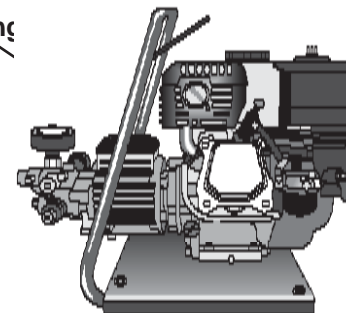


6. Water inlet components

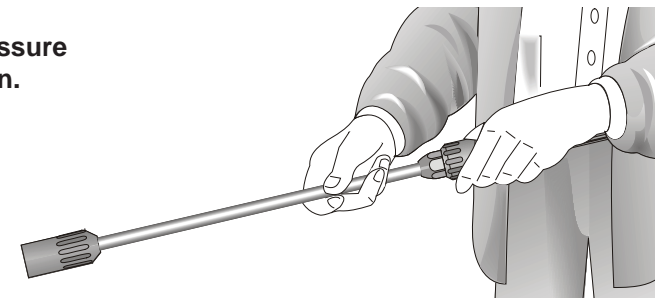


Prepare for use

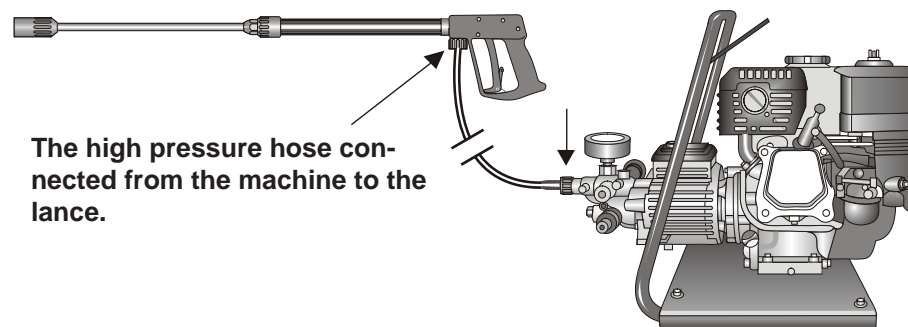
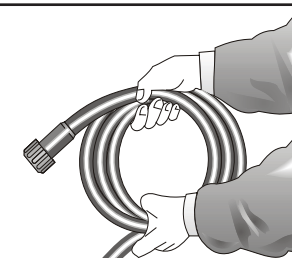
1. Oil-measuring



2. Connect the high pressure lance to the spray gun.

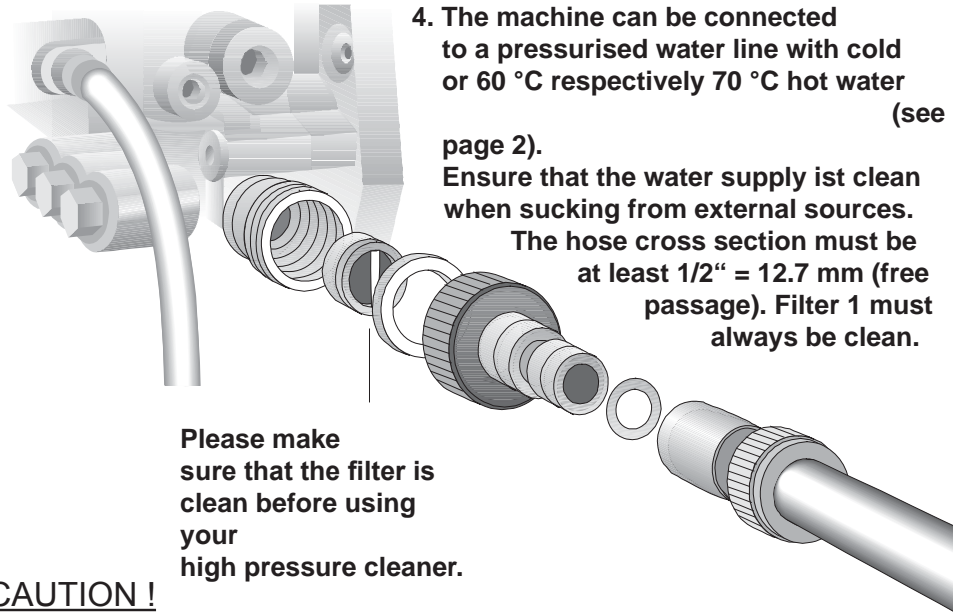


3. Unwind the high pressure hose without leaving kinks or „nooses“ and connect it to the spray gun and pump. When using extension hoses, use max. 20 m high pressure hose, or 2 x 10 m with hose connectors.



The high pressure hose connected from the machine to the lance.

Preparation for use



4. The machine can be connected to a pressurised water line with cold or 60 °C respectively 70 °C hot water (see page 2).
Ensure that the water supply is clean when sucking from external sources. The hose cross section must be at least 1/2" = 12.7 mm (free passage). Filter 1 must always be clean.

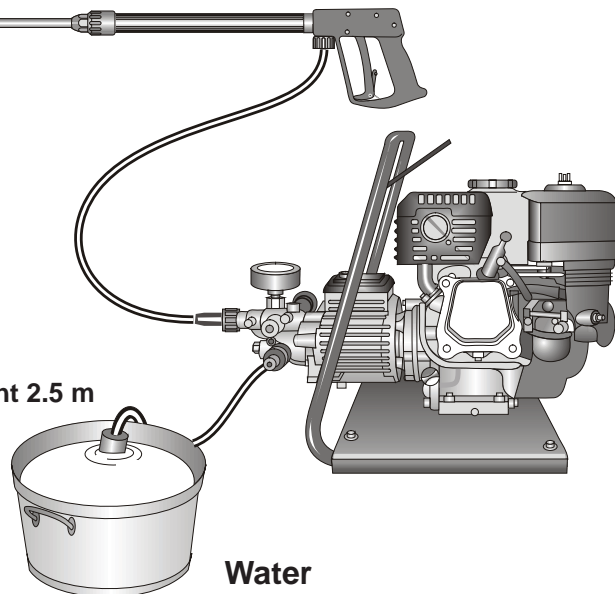
Please make sure that the filter is clean before using your high pressure cleaner.

CAUTION!



When running your high pressure cleaner with hot water of 70° C raised temperatures occur.
Do not touch the machine without safety gloves.

5. Maximum induction height 2.5 m
- see technical data on page 2.



Preparation for use

Adjusting the pressure

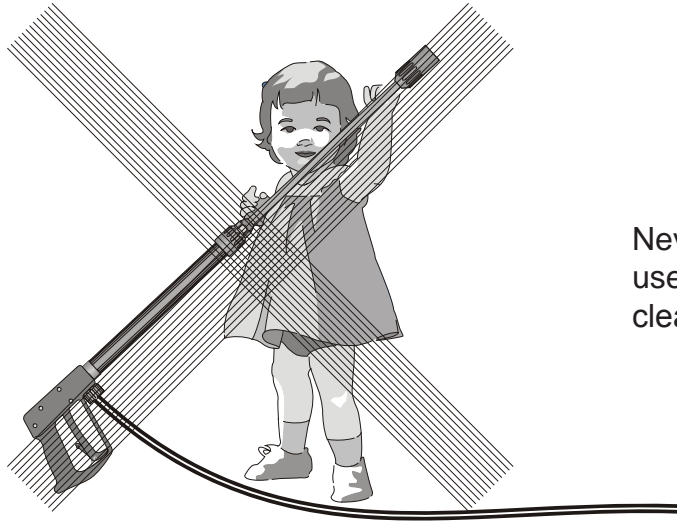
This is accomplished by turning the handwheel. The default setting is maximum pressure.



To shut down the pump:

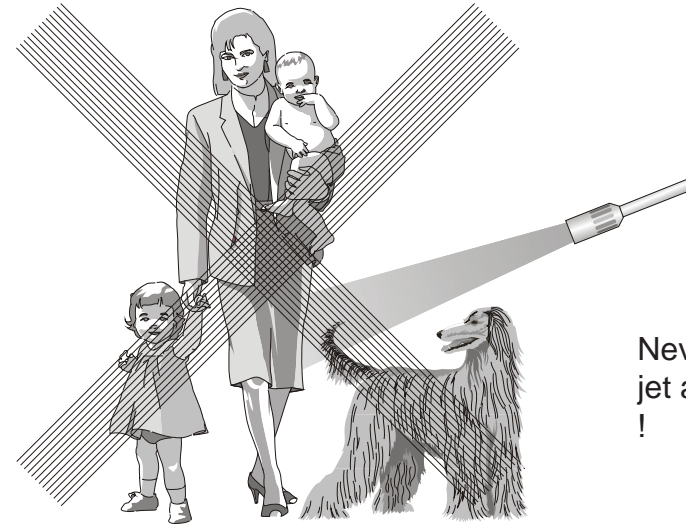
1. Switch off the machine
2. Cut off the water supply
3. Open the spray gun briefly until the pressure is released
4. Apply the safety catch on the spray gun
5. Remove the water hose and high pressure hose
6. Drain the pump: switch on the motor for approx. 20 seconds
7. Winter: store the pump in rooms above 0° C
8. Clean the water filter

This is prohibited

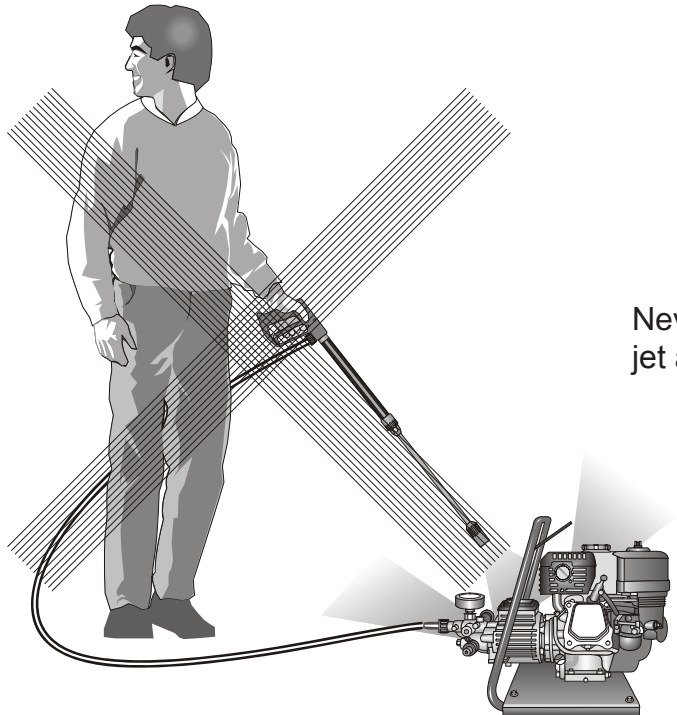


Never allow children to use the high pressure cleaner !

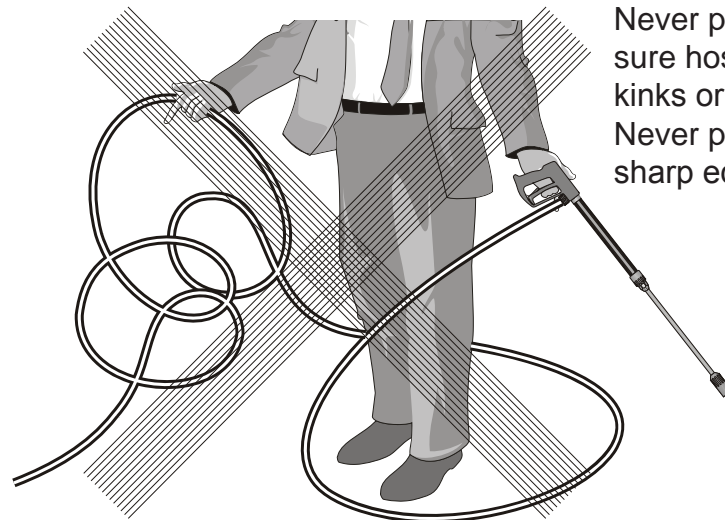
This is prohibited



Never direct the water jet at people or animals !



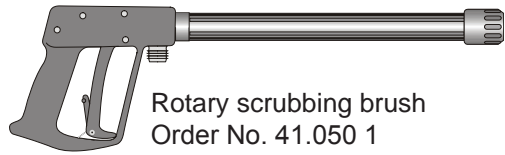
Never direct the water jet at the machine itself !



Never pull the high pressure hose if it has formed kinks or „nooses“!
Never pull the hose over sharp edges !

Additional KRÄNZLE accessories

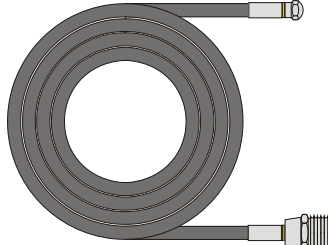
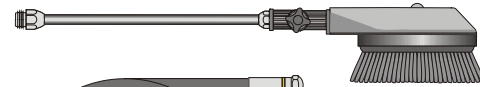
(not with B 10/200)



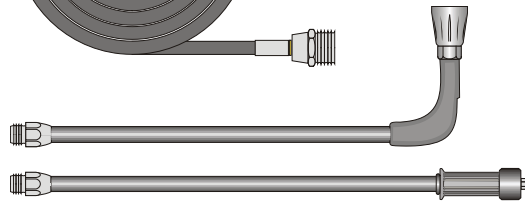
Rotary scrubbing brush
Order No. 41.050 1

Drain and pipe
cleaning hose

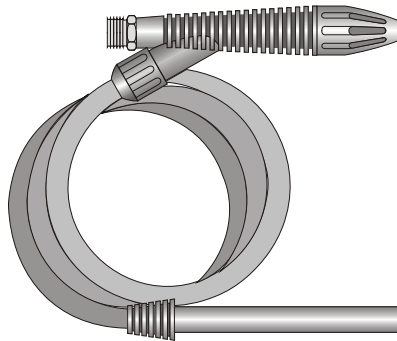
8 m - Order No. 41.051
15 m - Order No. 41.058



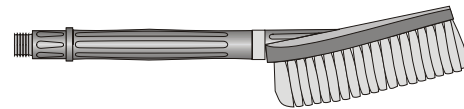
Underbody lance, new
Order No. 41.075



Sandblaster
Order No. 41.068 1



Flat brush
Order No. 41.073

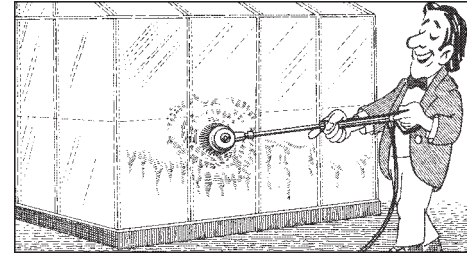
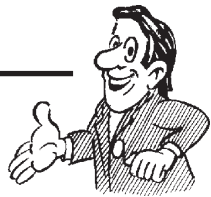


Schmutzkiller
B 10/200
Best.-Nr. 41.073 8
B13/150
Best.-Nr. 41.072 5
Turbokiller
B 16/220
Best.-Nr. 41.072 4
B16/250
Best.-Nr. 41.072 3
B20/200
Best.-Nr. 41-072 7

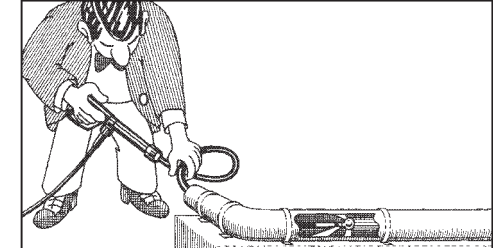


Environmental, refuse disposal and water protection regulations must be observed when using the accessories.

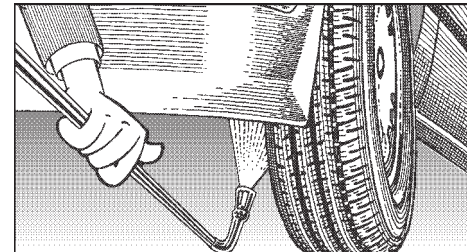
for further combination possibilities



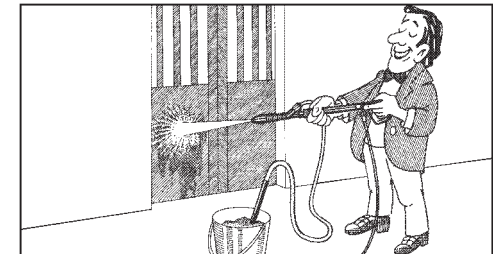
Car cleaning, glass, caravan, boat etc.: rotary washing brush with 40 cm extension and ST 30 nipple M 22



Cleaning pipes, channels and drains: Pipe cleaning hose with KN nozzle and ST 30 nipple M 22.



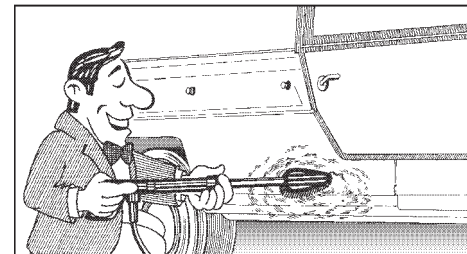
Underbody cleaning of cars, trailers and equipment: lance 90 cm with high pressure nozzle and ST 30 nipple. The lance must be aimed when spraying.



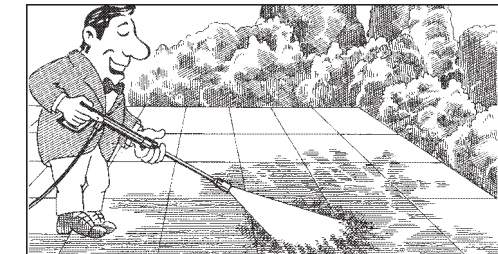
Blasting old paint, rust and facades: sandblasting injector with suction lance and 3 m PVC hose and ST 30 nipple M 22.



When sandblasting you must wear protection clothes! Pay attention to the instructions of the manufacturer of the abrasive.



Cleaning cars and all smooth surfaces: brush with ST 30 nipple M 22.

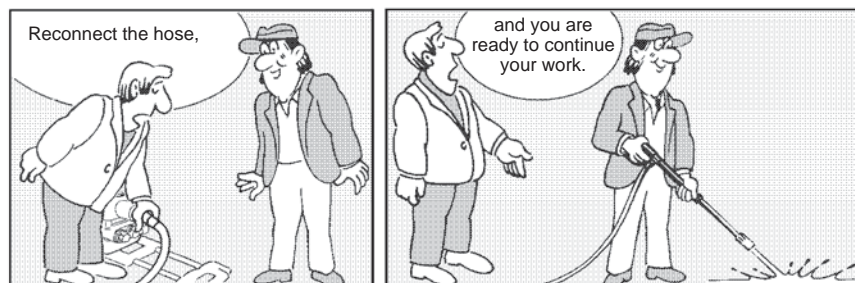
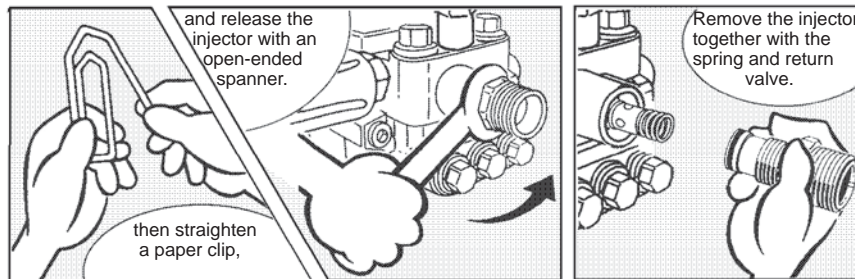
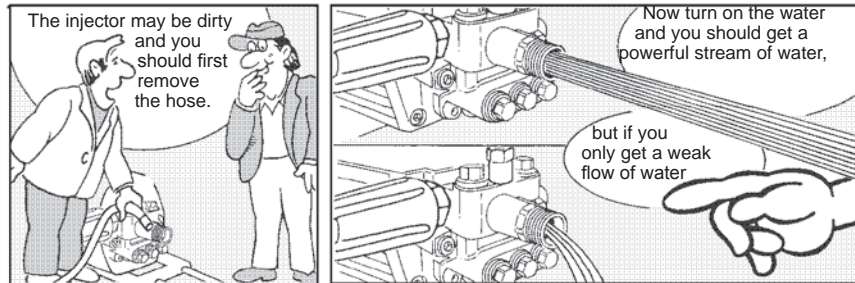


Rotary point sprayer for extreme soiling: dirt killer with 40 cm extension and ST 30 nipple M 22.

Small repairs –

You only get a weak flow of water or no water at all !

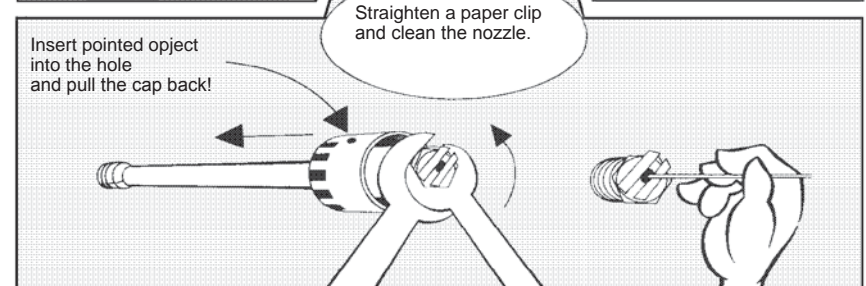
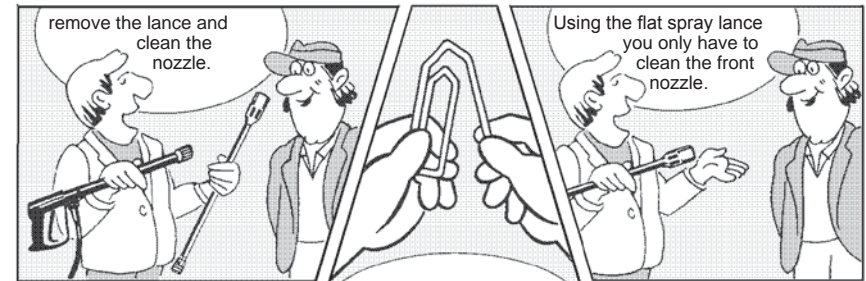
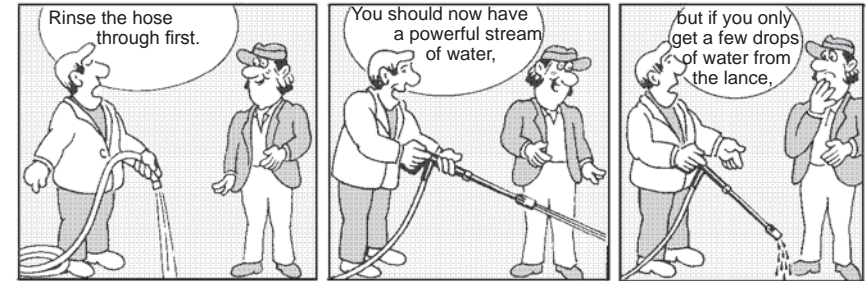
- The pressure gauge shows a 10% higher pressure than the working pressure.



Do it yourself !

The nozzle is blocked !

- No water but the gauge shows full pressure.



Valve dirty or sticky !

- Pressure gauge does not show full pressure.
- Water comes out in spurts.
- If you do not use the high pressure cleaner for some time the valves can stick.
- The high-pressure hose vibrates.



Inspections:

The machine must be inspected according to the „Guidelines for Liquid Spray Devices“ at least once every 12 months by a qualified person, to ensure that continued safe operation is guaranteed. The results of the inspection are to be recorded in writing. This may be done in any form.

Accident prevention

The machine is designed for accidents to be impossible if used correctly. The operator is to be notified of the risk of injury from hot machine parts and the high pressure water jet. The „Guidelines for Liquid Spray Devices“ must be complied with. (see page 12 and 13)

Check the oil level with the oil-measuring stick prior to each use. (Ensure horizontal position!)

Oil change B10/200 ; B13/150:

No oil change is required during the working life of the machine. However, should it be necessary to change the oil in the event of repairwork, the oil sight glass is to be opened over a reservoir and the machine to be emptied. The oil is to be caught in the reservoir and disposed of in the approved manner.

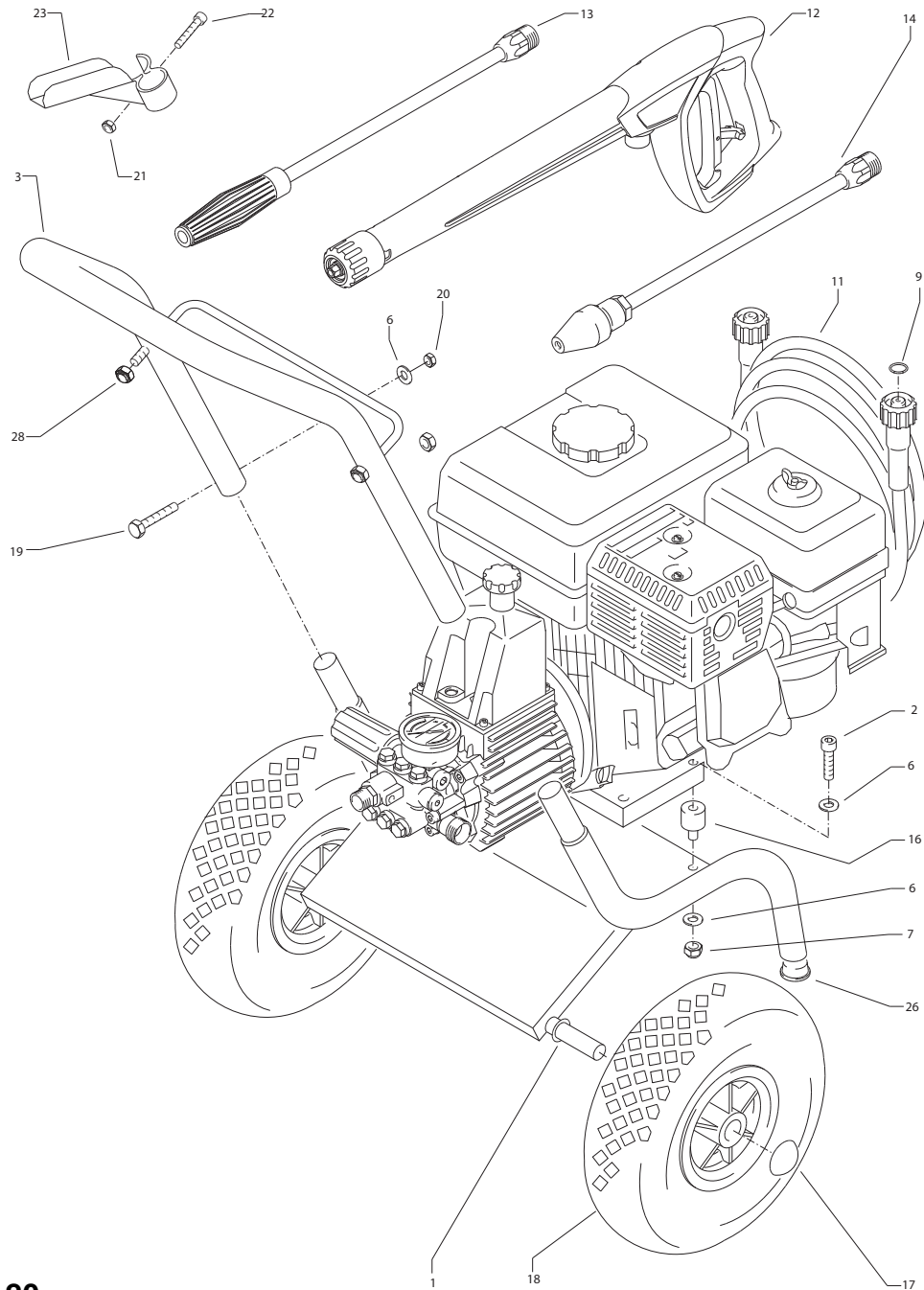
New oil: 0,3 l - Motor oil W 15/40

Oil change B16/220; B 16/250; B 20/200

The oil of your high pressure pump should be changed after approx. 40 hours of operation, or no later than when it takes on a grey or whitish colour. Open the oilplug over a container and drain off all the oil. The oil must be caught in a container and disposed of in a responsible, legal manner.

New oil: 1,0 l - Castrol Formula RS

Complete Assembly



KRÄNZLE B 10/200

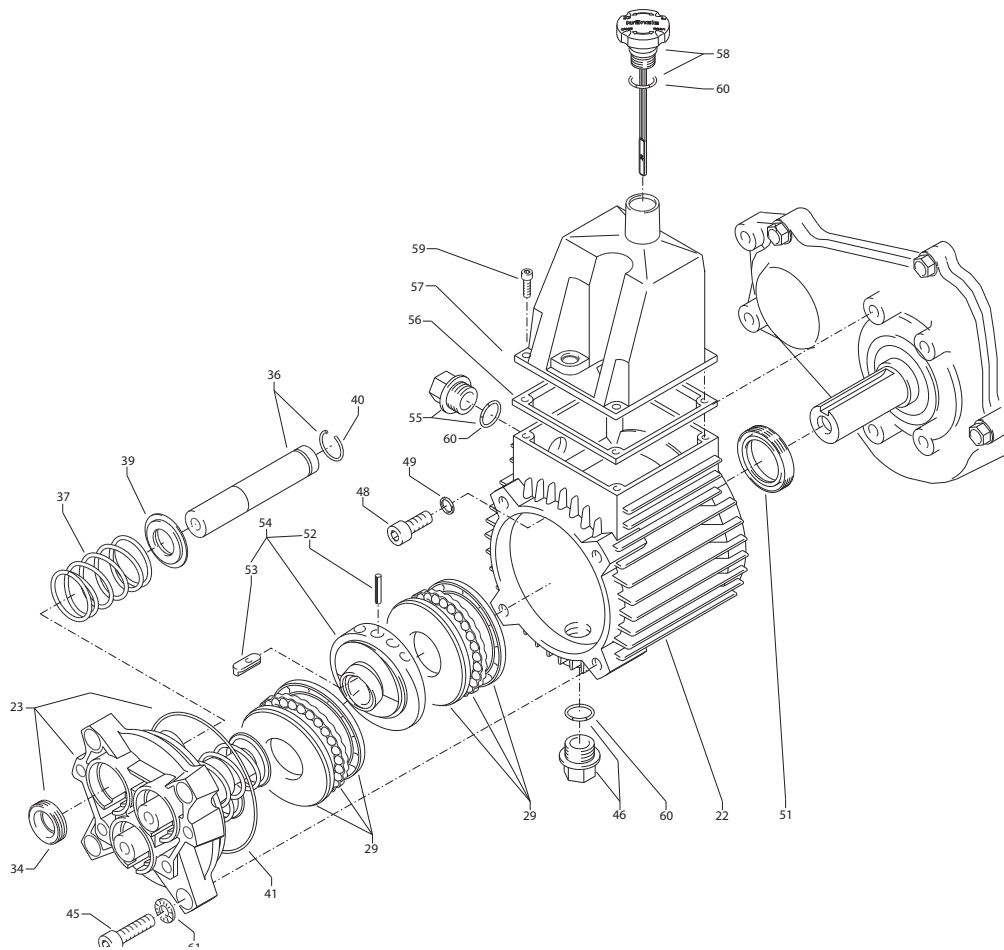
Spare parts list Profi-Jet B 10/200 with undercarriage Complete Assembly

No.	Description	Qty.	Ord.-No.
1	Wagen kompl. (Pos. 1, 3, 17, 18, 27, 28)	1	41.101 5
2	Sechskantschraube M 8 x 30	4	40.221
3	Schubbügel	1	41.101 6
6	Unterlegscheibe 8,4 DIN125	8	50.186
7	Elastic-Stop-Mutter M 8	4	41.410
9	O-Ring 9,3 x 2,4	2	13.273
11	Hochdruckschlauch 10 m / DN 8 - 210 bar	1	41.081
12	Pistole M2000	1	12.480
13	Lanze mit Vario-Jet 030	1	41.156 8-03
14	Lanze mit Schmutzkiller 030	1	41.570-03
16	Gummidämpfer	4	40.220
17	Starlock-Kappe	2	40.142 1
18	Rad luftbereift	2	40.141
19	Sechskantschraube M 8 x 40	2	44.033
20	Elastic-Stop-Mutter M 8	2	41.410 1
21	Vierkantmutter M 6	1	41.416
22	Zylinderschraube M 6 x 40	1	41.415
23	Pistolenhalterung	1	40.130
26	Rohrstopfen	2	42.613
28	Mutter M 8	4	14.127 2

Motor Honda GX 200 LX

24.027 2

Spare parts list Profi-Jet B 10/200 Transmission unit



No.	Description	Qty.	Ord.-No.
22	Getriebegehäuse	1	41.481 1
23	Gehäuseplatte 15 mm	1	42.906
29	Axial-Rillenkugellager 3-teilig	2	43.486
34	Öldichtung 15 x 24 x 7	3	42.907
36	Plunger 15 mm	3	42.908
37	Plungerfeder	3	41.033
39	Federdruckscheibe 15 mm	3	42.909
40	Sprengring 15 mm	3	42.910
41	O-Ring Viton 88 x 2	1	41.021 1
45	Innensechskantschraube M 8 x 30	4	41.036 3
46	Ölablassstopfen M18x1,5 mit Magnet	1	48.020
48	Innensechskantschraube M 8 x 20	4	41.480
49	Kupferdichtring	4	41.500
51	Wellendichtring 25 x 35 x 5	1	41.019 5
52	Spannstift 3 x 16	1	14.148 1
53	Stufenkeil	1	41.183
54	Taumelscheibe 13°	1	41.028 6-13,0
56	Flachdichtung	1	41.019 3
57	Deckel	1	40.518
58	Ölmessstab	1	42.520 1
59	Innensechskantschraube M 5 x 12	4	41.019 4
60	O-Ring 14 x 2	3	43.445
61	Sicherungsring	4	40.054

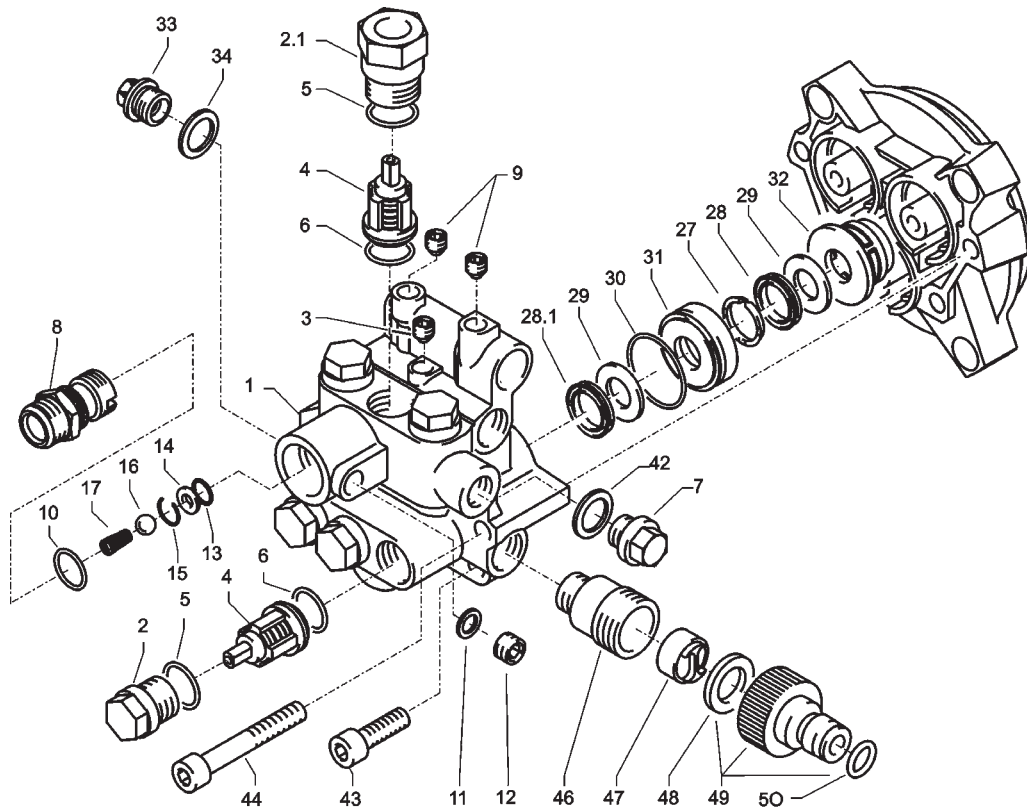
Antrieb kpl. Pos. 22-61

41.481 3

Valve housing

Kränzle B 10/200

Spare parts list Profi-Jet B 10 / 200 Valve housing APG 15 mm



No.	Description	Qty.	Ord.-No.
1	Ventilgehäuse	1	42.163 3
2	Ventilstopfen	5	41.714
2.1	Ventilstopfen mit R1/4" IG	1	42.102
3	Dichtstopfen M 10 x 1	1	43.043
4	Ventile (grün) für APG-Pumpe	6	41.715 1
5	O-Ring 16 x 2	8	13.150
6	O-Ring 15 x 2	6	41.716
7	Dichtstopfen R 1/4" mit Bund	1	42.103
8	Ausgangsteil M22x1,5	1	40.522 1
9	Dichtstopfen M 8 x 1	2	13.158
10	O-Ring 18 x 2	1	40.016
11	Aluminium - Dichtring	1	13.275
12	Stopfen 1/4" AG mit ISK	1	13.387
13	O-Ring 11 x 1,5	1	12.256
14	Edelstahlsitz Ø 7	1	14.118
15	Sprengring	1	13.147
16	Edelstahlkugel Ø10	1	12.122
17	Rückschlagfeder „K“	1	14.120 1
27	Stützring rot 15mm	3	42.913
28	Manschette weich 15mm	3	42.902
28.1	Manschette Gewebe 15mm	3	42.902 1
29	Backring 15 x 24	6	42.903
30	O-Ring 28,3 x 1,78	3	40.026
31	Leckagering 15 mm	3	42.905
32	Zwischenring 15 mm	3	42.904 1
33	Verschlussstopfen R3/8"	1	14.113
34	Kupferring 17 x 22 x 1,5	1	40.019
42	Usit-Ring	1	42.104
43	Innensechskantschraube M 8 x 30	2	41.036 3
44	Innensechskantschraube M 8 x 55	2	41.017 2
46	Sauganschluss	1	41.016
47	Wasserfilter	1	41.046 1
49	Steckkupplung	1	41.047 4

Repair kit Valves for APG-Pump
consisting of 6x No. 4; 6x No. 5; 6x No. 6

41.748 1

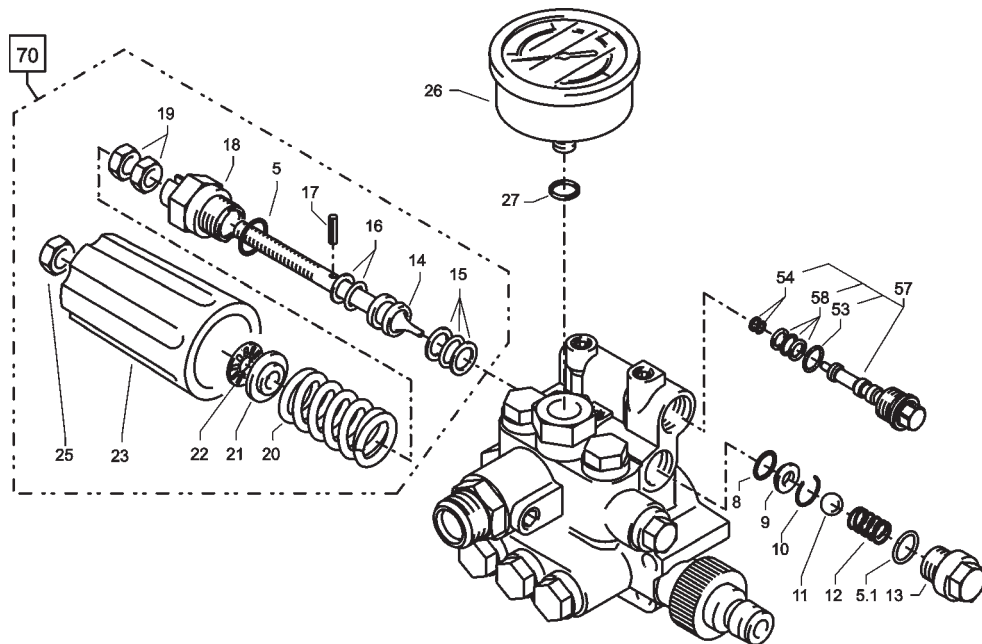
Repair kit sleeves 15 mm
consisting of 3x No. 24; 3x No. 27;
3x No. 28; 6x No. 29; 6x No. 30

42.911

Valve housing compl.
with integr. ULH and pressure switch

42.912

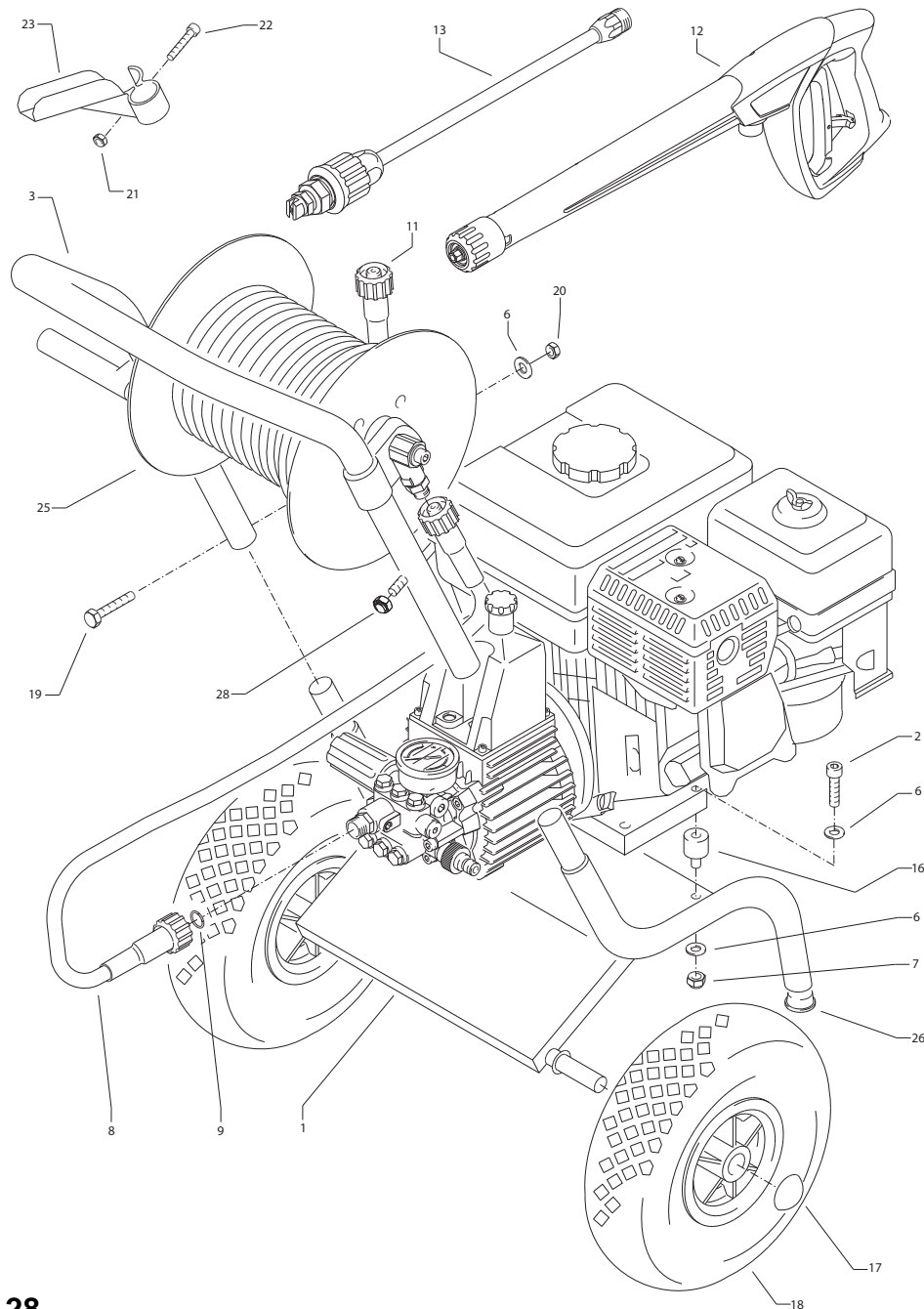
Spare parts list Profi-Jet B 10 / 200 Unloader



No.	Description	Qty.	Ord.-No.
5	O-Ring 16 x 2	1	13.150
5.1	O-Ring 13,94 x 2,62	1	42.167
8	O-Ring 11 x 1,44	1	12.256
9	Edelstahlsitz	1	14.118
10	Sicherungsring	1	13.147
11	Edelstahlkugel	1	12.245
12	Edelstahlfeder	1	14.119
13	Verschlusschraube	1	14.113
14	Steuerkolben	1	14.134
15	Parbaks 16 mm	1	13.159
16	Parbaks 8 mm	1	14.123
17	Spanstift	1	14.148
18	Kolbenführung spezial	1	42.105
19	Kontermutter M 8 x 1	2	14.144
20	Ventilfeder schwarz	1	14.125
21	Federdruckscheibe	1	14.126
22	Nadellager	1	14.146
23	Handrad	1	14.147
25	Elastic-Stop-Mutter M 8 x 1	1	14.152
26	Manometer 0-250 Bar	1	15.039
27	Aluminium-Dichtring	4	13.275
53	O-Ring 14 x 2	1	43.445
54	Parbaks 4mm	1	12.136 2
57	Blindverschluss mit Dichtungen	1	44.551
58	Parbaks 7mm	1	15.013
70	Steuerkolben kpl. mit Handrad		43.444
71	Ventilgehäuse kpl.		40.249 1

Complete Assembly

Kränzle B 13/150



Spare parts list Profi-Jet B 13/150 with undercarriage Complete Assembly

No.	Description	Qty.	Ord.-No.
1	Wagen kompl. (Pos. 1, 3, 17, 18, 27, 28)	1	41.101 5
2	Sechskantschraube M 8 x 30	4	40.221
3	Schubbügel	1	41.101 6
6	Unterlegscheibe 8,4 DIN125	8	50.186
7	Elastic-Stop-Mutter M 8	4	41.410
8	Hochdruckschlauch 1m / DN 8	1	41.265
9	O-Ring 9,3 x 2,4	2	13.273
11a	bei Gerät mit Schlauchtrommel Hochdruckschlauch 20 m / DN 8	1	41.083
11b	bei Gerät ohne Schlauchtrommel Hochdruckschlauch 10 m / DN 8	1	44.878
12	Pistole M2000	1	12.480
13	Lanze mit Regeldüse 2505	1	12.395-D2505
15	Lanze mit Schmutzkiller 2505	1	41.570-055
16	Gummidämpfer	4	40.220
17	Starlock-Kappe	2	40.142 1
18	Rad D245 pannensicher	2	40.141
19	Sechskantschraube M 8 x 40	2	44.033
20	Elastic-Stop-Mutter M 8	2	41.410 1
21	Vierkantschraube M 6	1	41.416
22	Zylinderschraube M 6 x 40	1	41.415
23	Pistolenhalterung	1	40.130
25	Schlauchtrommel	1	41.259
26	Rohrstopfen	2	42.613
28	Mutter M 8	4	14.127 2

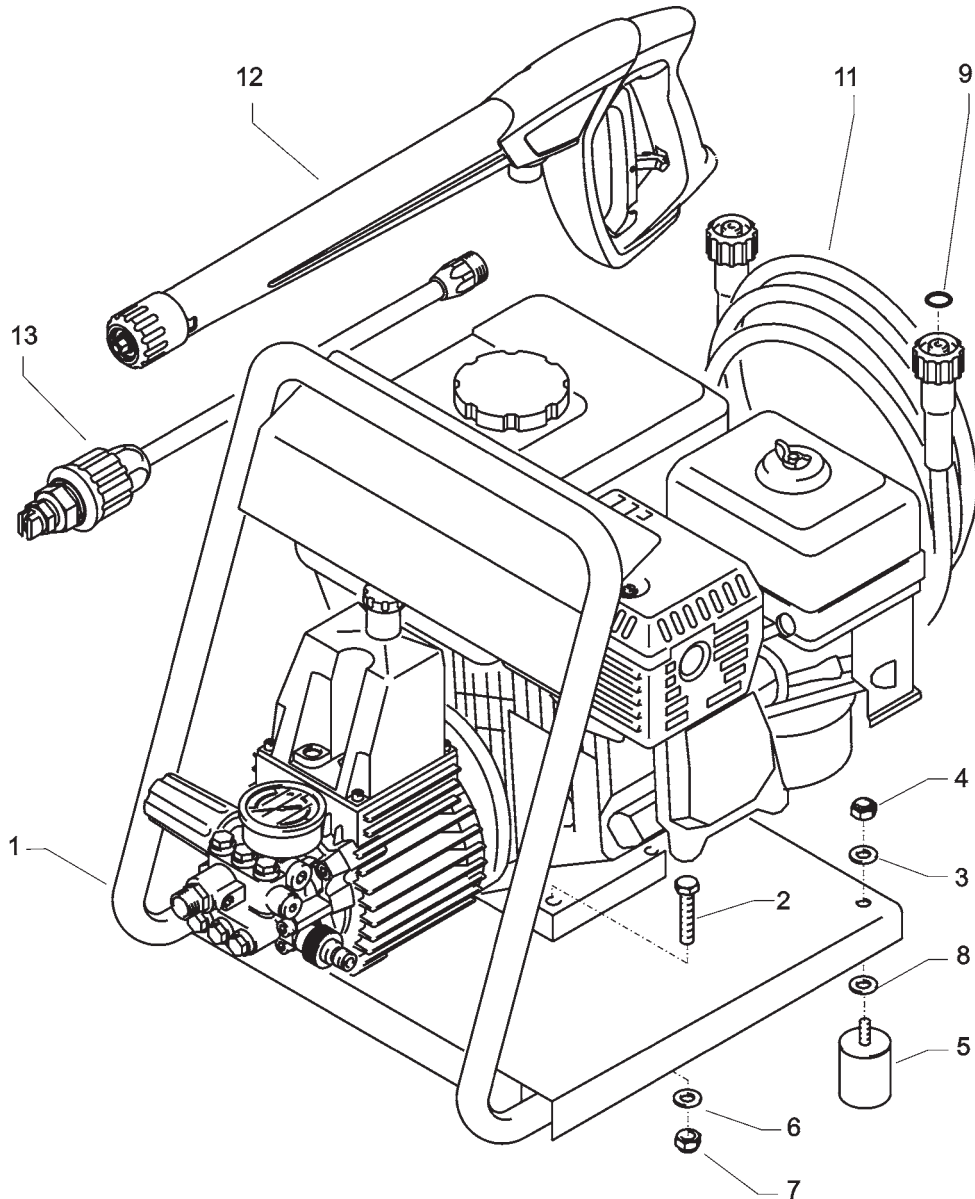
Motor Honda GX 160 CX

24.027

Nachrüstsatz Schlauchtrommel
mit 1m HD-Verbindungsschlauch
mit 20m HD-Schlauch

41.259 1

Spare parts list Profi-Jet B 13/150 portable Complete Assembly

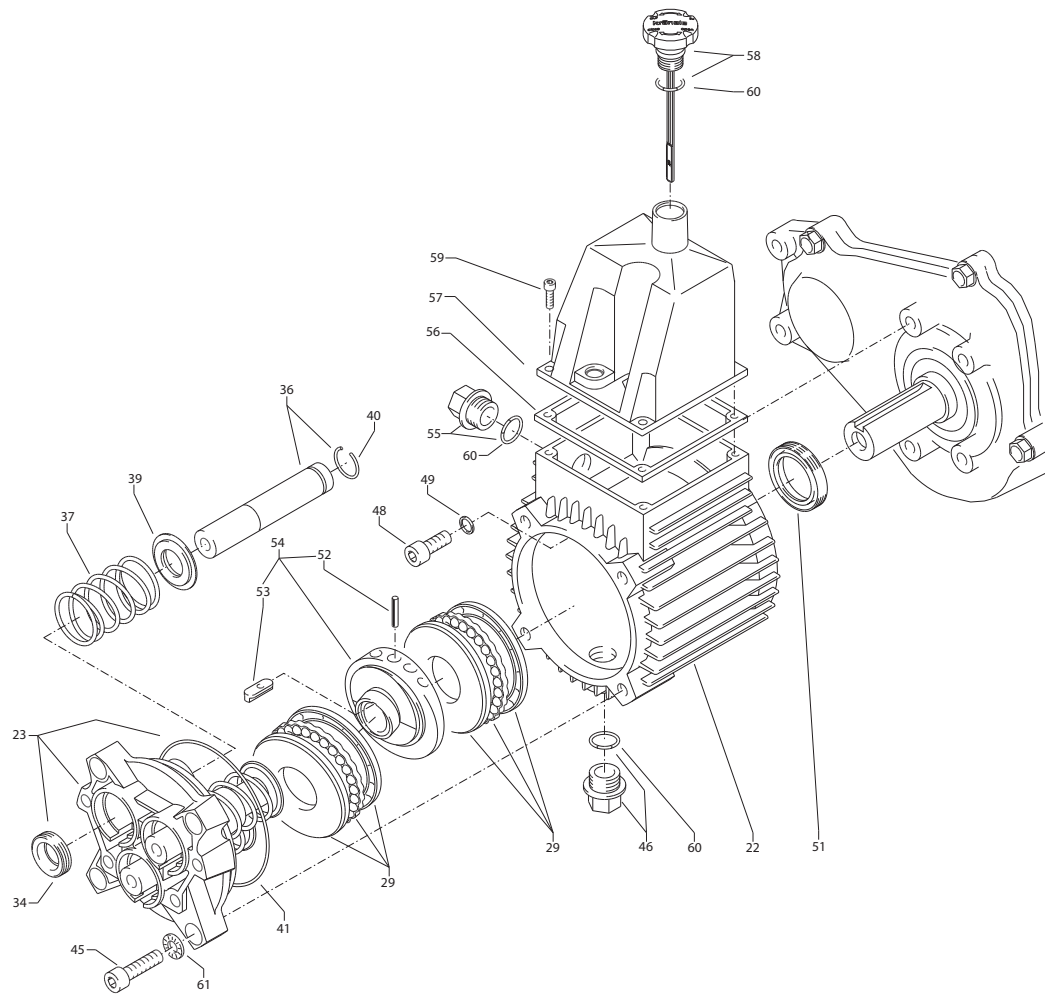


No.	Description	Qty.	Ord.-No.
1	Tragbügel	1	41.098 3
2	Sechskantschraube M 8 x 40	4	44.033
3	Unterlegscheibe 6 mm DIN 125	4	41.511
4	Elastic-Stop-Mutter M 6	4	14.152 1
5	GummifüÙe	4	41.513
6	Unterlegscheiben 8 mm DIN 125	4	50.186
7	Elastic-Stop-Mutter M 8	4	41.410
8	Unterlegscheiben 6 mm DIN 9021	16	41.516
9	O-Ring 9,3 x 2,4	2	13.273
11	Hochdruckschlauch 10 m / DN 8	1	44.878
12	Pistole M2000	1	12.480
13	Lanze mit Regeldüse 2505	1	12.395-D2505

Motor Honda GX 160 CX

24.027

Spare parts list Profi-Jet B 13/150 Antrieb

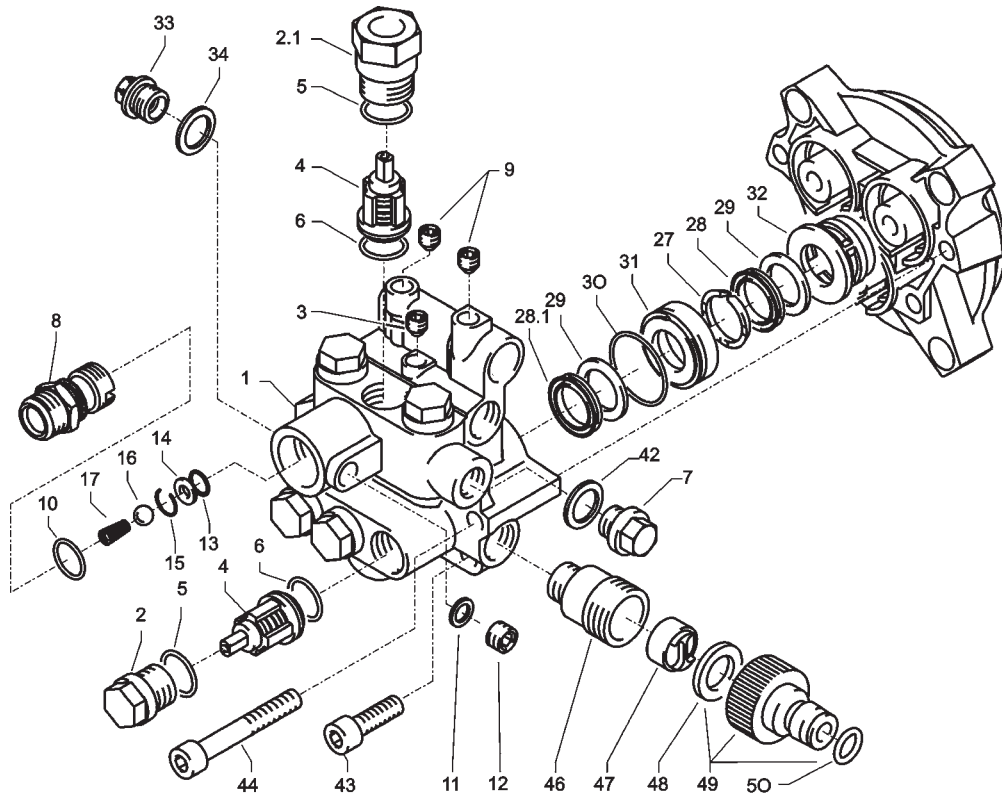


No.	Description	Qty.	Ord.-No.
22	Getriebegehäuse	1	41.481 1
23	Gehäuseplatte 18 mm	1	41.020 2
29	Axial-Rillenkugellager 3-teilig	2	43.486
34	Öldichtung 18 x 28 x 7	3	41.031
36	Plunger 18 mm	3	41.032 1
37	Plungerfeder	3	41.033
39	Federdruckscheibe 18 mm	3	41.034
40	Sprengring 18 mm	3	41.035
41	O-Ring Viton 88 x 2	1	41.021 1
45	Innensechskantschraube M 8 x 30	4	41.036 3
46	Ölablassstopfen M18x1,5 mit Magnet	1	48.020
48	Innensechskantschraube M 8 x 20	4	41.480
49	Kupferdichtring	4	41.500
51	Wellendichtring 25 x 35 x 5	1	41.019 5
52	Spannstift 3 x 16	1	14.148 1
53	Stufenkeil	1	41.183
54	Taumelscheibe 11,5°	1	41.028 6-11,5
56	Flachdichtung	1	41.019 3
57	Deckel	1	40.518
58	Ölmessstab	1	42.520 1
59	Innensechskantschraube M 5 x 12	4	41.019 4
60	O-Ring 14 x 2	2	43.445
61	Sicherungsring	4	40.054
Antrieb kpl. Pos. 22-61			41.481 2

Valve housing

KRÄNZLE B 13/150

Spare parts list Profi-Jet B 13/150 Valve housing APG 18 mm



No.	Description	Qty.	Ord.-No.
1	Ventilgehäuse APG für 18 mm Plunger-Durchmesser	1	42.160 3
2	Ventilstopfen	5	41.714
2.1	Ventilstopfen mit R1/4" IG	1	42.102
3	Dichtstopfen M 10 x 1	1	43.043
4	Ventile (grün) für APG-Pumpe	6	41.715 1
5	O-Ring 16 x 2	8	13.150
6	O-Ring 15 x 2	6	41.716
7	Dichtstopfen R 1/4" mit Bund	1	42.103
8	Ausgangsteil M22x1,5	1	40.522 1
9	Dichtstopfen M 8 x 1	2	13.158
10	O-Ring 18 x 2	1	40.016
11	Aluminium - Dichtring	3	13.275
12	Stopfen 1/4" AG mit ISK	1	13.387
13	O-Ring 11 x 1,5	1	12.256
14	Edelstahlsitz Ø 7	1	14.118
15	Sprengring	1	13.147
16	Edelstahlkugel Ø10	1	12.122
17	Rückschlagfeder „K“	1	14.120 1
27	Druckring	3	41.018
28	Manschette 18 x 26 x 4/2	3	41.013 2
28.1	Gewebemanschette 18 x 26 x 4/2	3	41.013 1
29	Backring	6	41.014
30	O-Ring 28,3 x 1,78	3	40.026
31	Leckagering	3	41.066
32	Zwischenring	3	41.015 2
33	Verschlussstopfen R3/8"	1	14.113
34	Kupferring 17 x 22 x 1,5	1	40.019
42	Usit-Ring	1	42.104
43	Innensechskantschraube M 8 x 30	2	41.036 3
44	Innensechskantschraube M 8 x 55	2	41.017 2
46	Sauganschluss	1	41.016
47	Wasserfilter	1	41.046 1
49	Steckkupplung	1	41.047 4

Repair kit Valves for APG-Pump
consistion of 6x No. 4; 6x No. 5; 6x No. 6

41.748 1

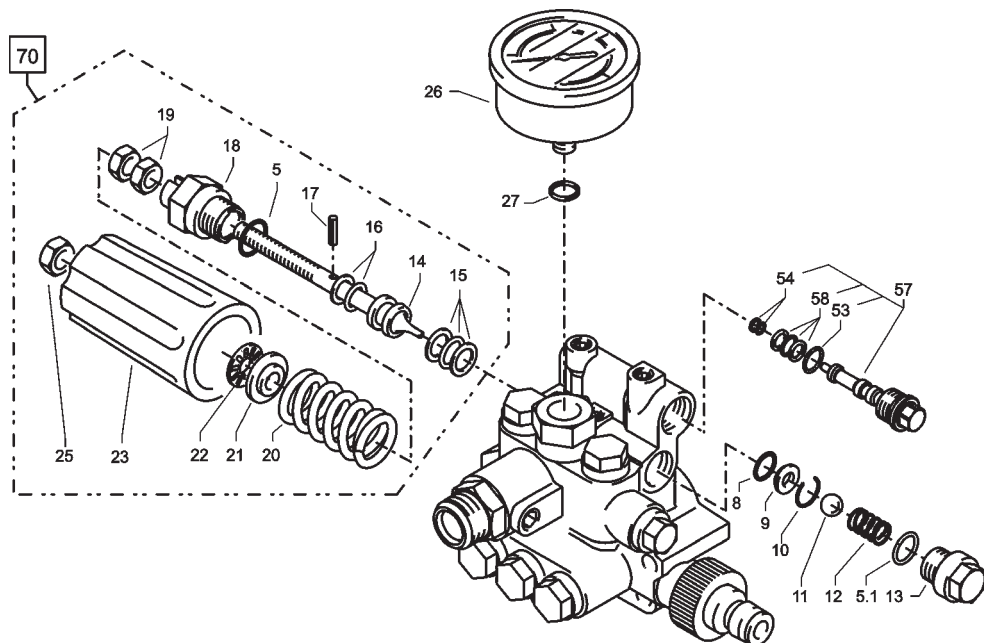
Repair kit sleeves 18 mm
consisting of 3x No. 27; 3x No. 28;
3x No. 28.1; 6x No. 29; 6x No. 30

41.049 2

Valvehousing compl.
with integr. ULH

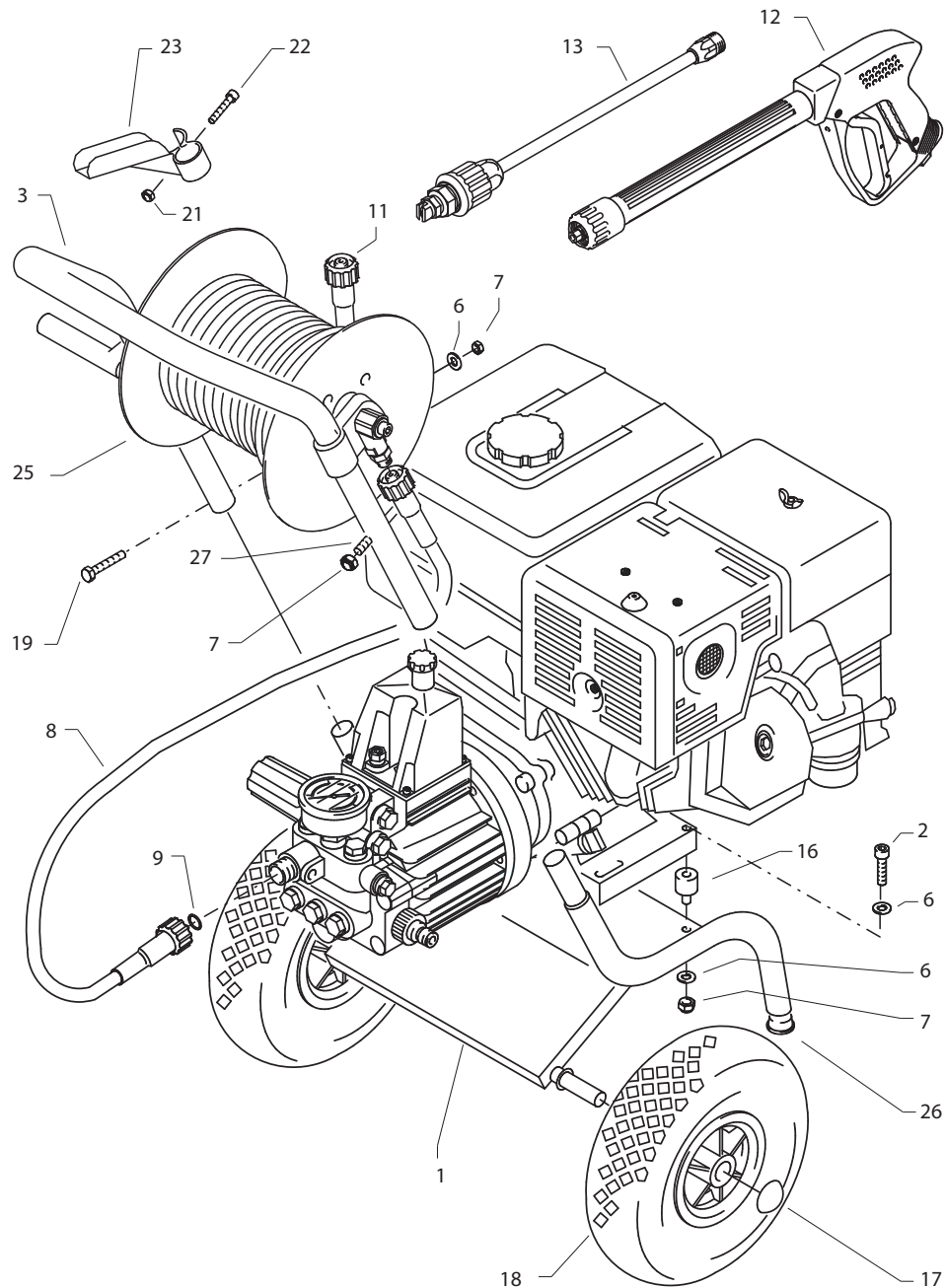
43.442

Spare parts list Profi-Jet B 13 / 150 Unloader



No.	Description	Qty.	Ord.-No.
5	O-Ring 16 x 2	1	13.150
5.1	O-Ring 13,94 x 2,62	1	42.167
8	O-Ring 11 x 1,44	1	12.256
9	Edelstahlsitz	1	14.118
10	Sicherungsring	1	13.147
11	Edelstahlkugel	1	12.245
12	Edelstahlfeder	1	14.119
13	Verschlusschraube	1	14.113
14	Steuerkolben	1	14.134
15	Parbaks 16 mm	1	13.159
16	Parbaks 8 mm	1	14.123
17	Spannstift	1	14.148
18	Kolbenführung spezial	1	42.105
19	Kontermutter M 8 x 1	2	14.144
20	Ventilfeder schwarz	1	14.125
21	Federdruckscheibe	1	14.126
22	Nadellager	1	14.146
23	Handrad	1	14.147
25	Elastic-Stop-Mutter M 8 x 1	1	14.152
26	Manometer 0-250 Bar	1	15.039
27	Aluminium-Dichtring	4	13.275
53	O-Ring 14 x 2	1	43.445
54	Parbaks 4mm	1	12.136 2
57	Blindverschluss mit Dichtungen	1	44.551
58	Parbaks 7mm	1	15.013
70	Steuerkolben kpl. mit Handrad		43.444
71	Ventilgehäuse kpl.		40.249 1

Complete Assembly

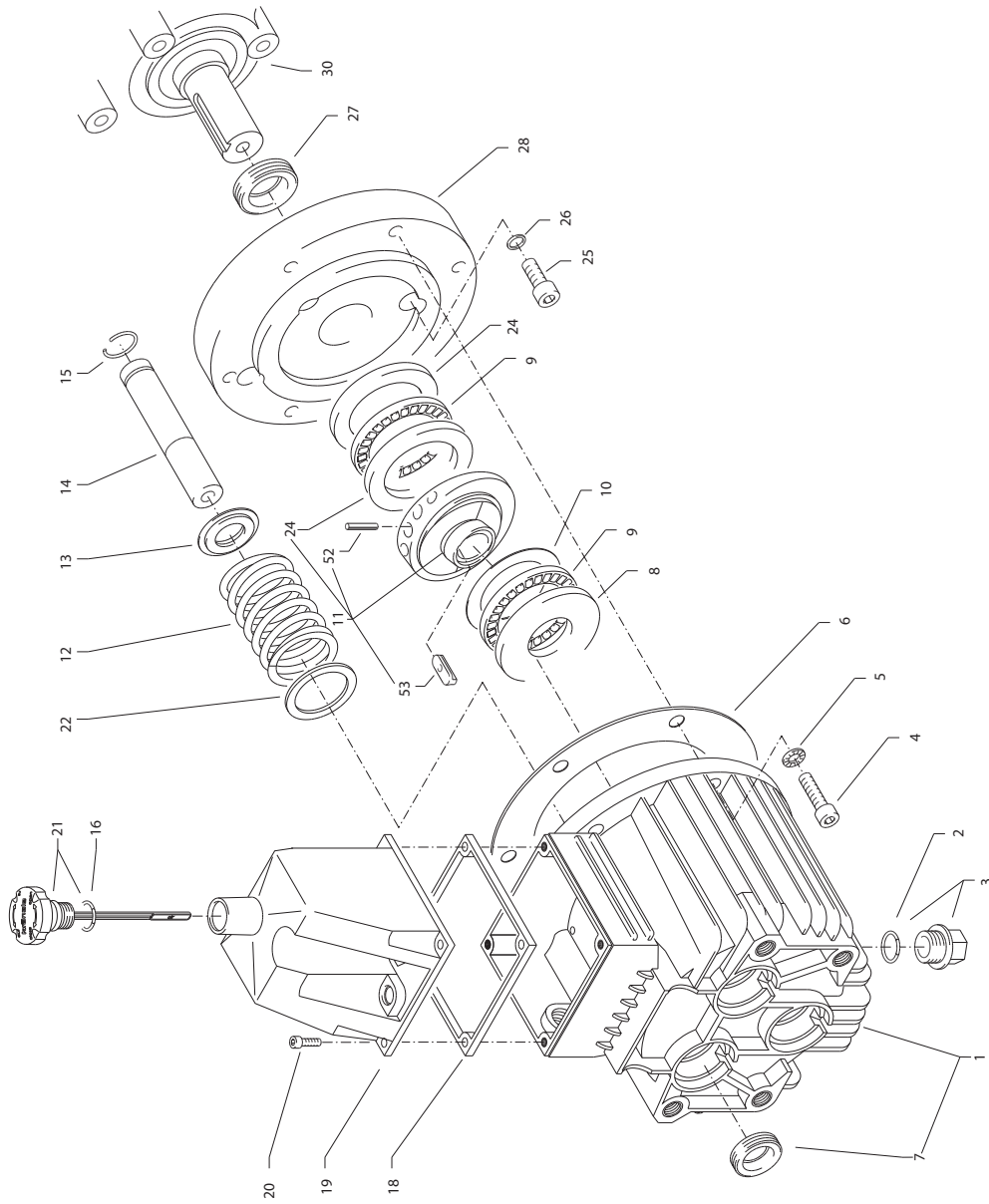


KRÄNZLE B 16/220

Spare parts list Profi-Jet B 16/220-B 16/250 with undercarriage Complete Assembly

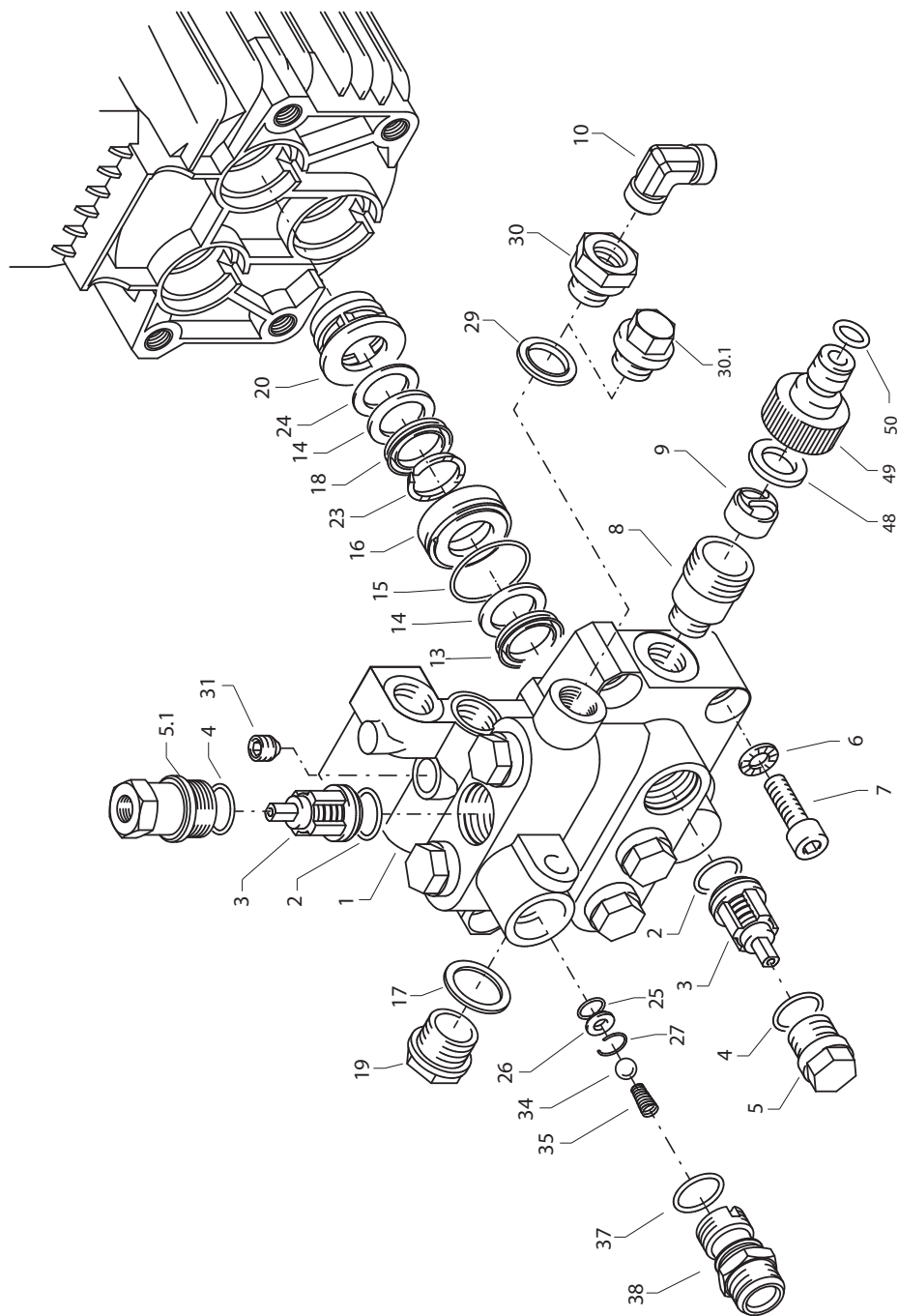
No.	Description	Qty.	Ord.-No.
1	Wagen kompl. (Pos. 1, 3, 17, 18, 27, 28)	1	41.101 5
2	Sechskantschraube M 8 x 30	2	40.221
2.1	Sechskantschraube M 8 x 35	2	44.033 3
3	Schubbügel	1	41.101 6
6	Unterlegscheibe 8,4 DIN 125	9	50.186
7	Elastic-Stop-Mutter M 8	8	41.410
8	Hochdruckschlauch 1m / DN 8 - 210 bar	1	41.265
9	O-Ring 9,3 x 2,4	3	13.273
11a	bei Gerät mit Schlauchtrommel Hochdruckschlauch 20 m / DN 8 - 210 bar	1	41.083
11b	bei Gerät ohne Schlauchtrommel Hochdruckschlauch 10 m / DN 8 - 210 bar	1	41.081
12	Starlett II mit ISO-Handgriff	1	12.320 2
13	Lanze mit Regeldüse 2505 (B16/220)	1	12.395-D2505
13.1	Lanze mit Regeldüse 25045 (B16/250)	1	12.395-D25045
13.2	Lanze mit Regeldüse 2507 (B20/200)	1	12.395-D2507
14	Saugschlauch 3 m mit Saugfilter	1	15.038 3
16	Gummidämpfer	4	40.220
17	Starlock-Kappe	2	40.142 1
18	Rad D245 pannensicher	2	40.141
19	Sechskantschraube M 8 x 40	2	44.033
21	Vierkantmutter M 6	1	41.416
22	Zylinderschraube M 6 x 40	1	41.415
23	Pistolenablage	1	40.130
25	Schlauchtrommel kpl. ohne Schlauch	1	41.259
26	Rohrstopfen	2	42.613
28	Mutter M 8	4	14.127 2

Drehzahlregulierung mit 1m Bowdenzug	1	42.580
Motor Honda GX 340 (B16/220)		24.026
Motor Honda GX 390 (B16/250; B20/200)		24.026 1
AQ-Pumpe kpl. mit Antrieb und Flansch		40.265
Nachrüstset Schlauchtrommel mit 1 m HD-Verbindungsschlauch mit 20 m HD-Schlauch		41.259 1



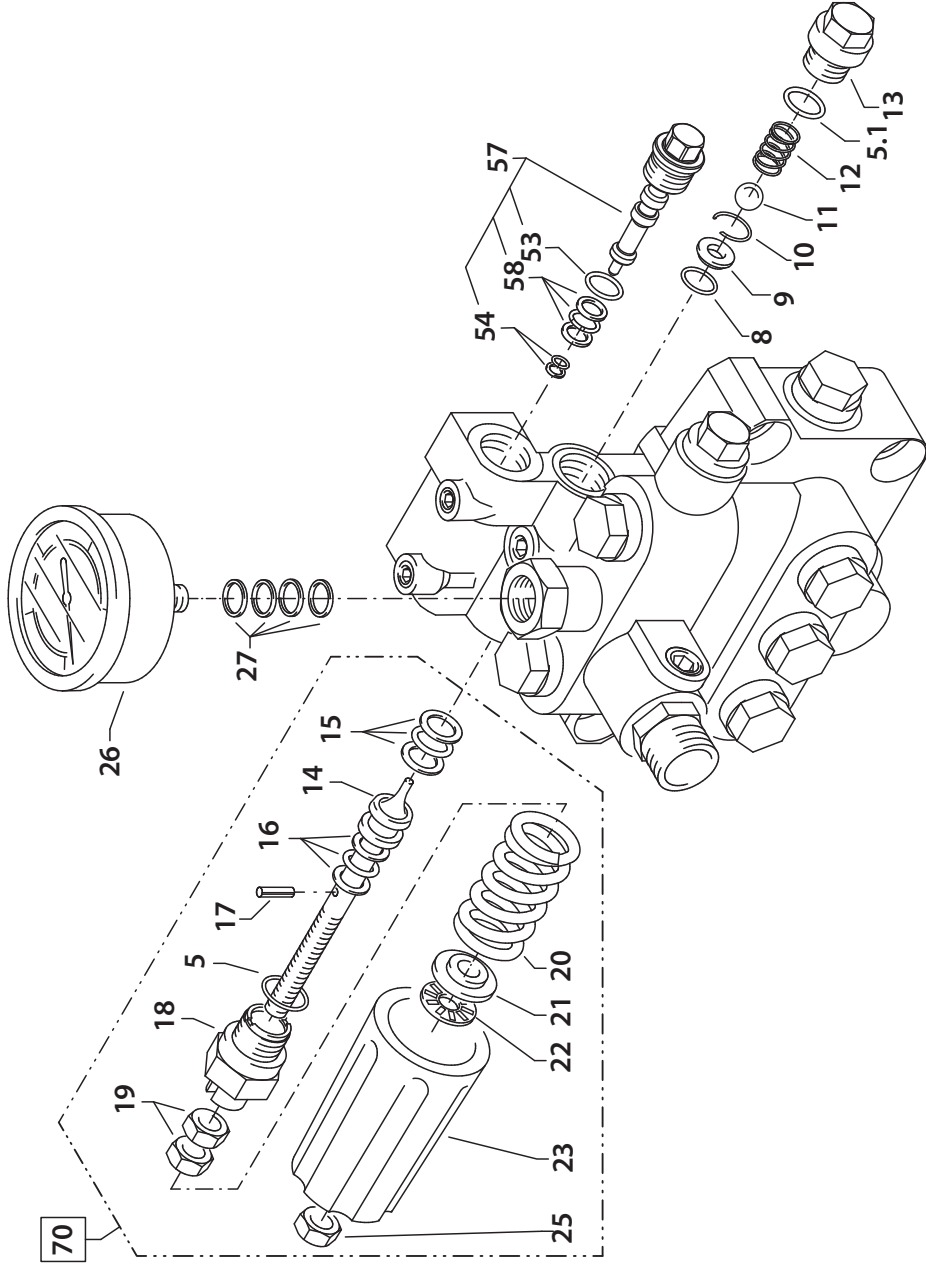
Spare parts list Profi-Jet B 16/220-B16/250 - B20/200
Transmission unit AQ-Pump

No.	Description	Qty.	Ord.-No.
1	Ölgehäuse	1	40.501
2	O-Ring 13,94 x 2,62	1	42.167
3	Ölabstופן R 3/8"	1	42.019
4	Innensechskantschraube M 8 x 25	6	40.053
5	Sicherungsscheibe	6	40.054
6	Flachdichtung	1	40.511
7	Öldichtung 20 x 30 x 7	3	40.044 1
8	Weillenscheibe	1	40.043
9	Axial-Rollenkäfig	1	40.040
10	AS-Scheibe	1	40.041
11	Taumscheibe 8,0° für B16/220; B16/250	1	40.055-8,0
11.1	Taumscheibe 10,2° für B20/200	1	40.055-10,2
12	Plungerfeder	3	40.506
13	Federdruckscheibe	3	40.510
14	Plunger 20 mm (lang)	3	40.505
15	Sprengring	3	40.048
16	O-Ring 14 x 2	1	43.445
18	Flachdichtung	1	41.019 3
19	Deckel Ölgehäuse	1	40.518
20	Innensechskantschraube M 5 x 12	4	41.019 4
21	Ölmesstab	1	42.520
22	Stützscheibe	3	40.513
24	Gehäusescheibe	2	40.039
25	Innensechskantschraube M 8 x 30	4	41.036 3
26	Kupfer-Dichtring	4	41.500
27	Dichtring 30 x 42 x 7	1	40.224
28	Flansch für B 16/220	1	40.223
30	Motor Honda GX 340 für B 16/220	1	24.026
30.1	Motor Honda GX 390 für 20/200	1	24.026 1
52	Spannstift 3 x 16	1	14.148 1
53	Stufenkeil	1	40.222



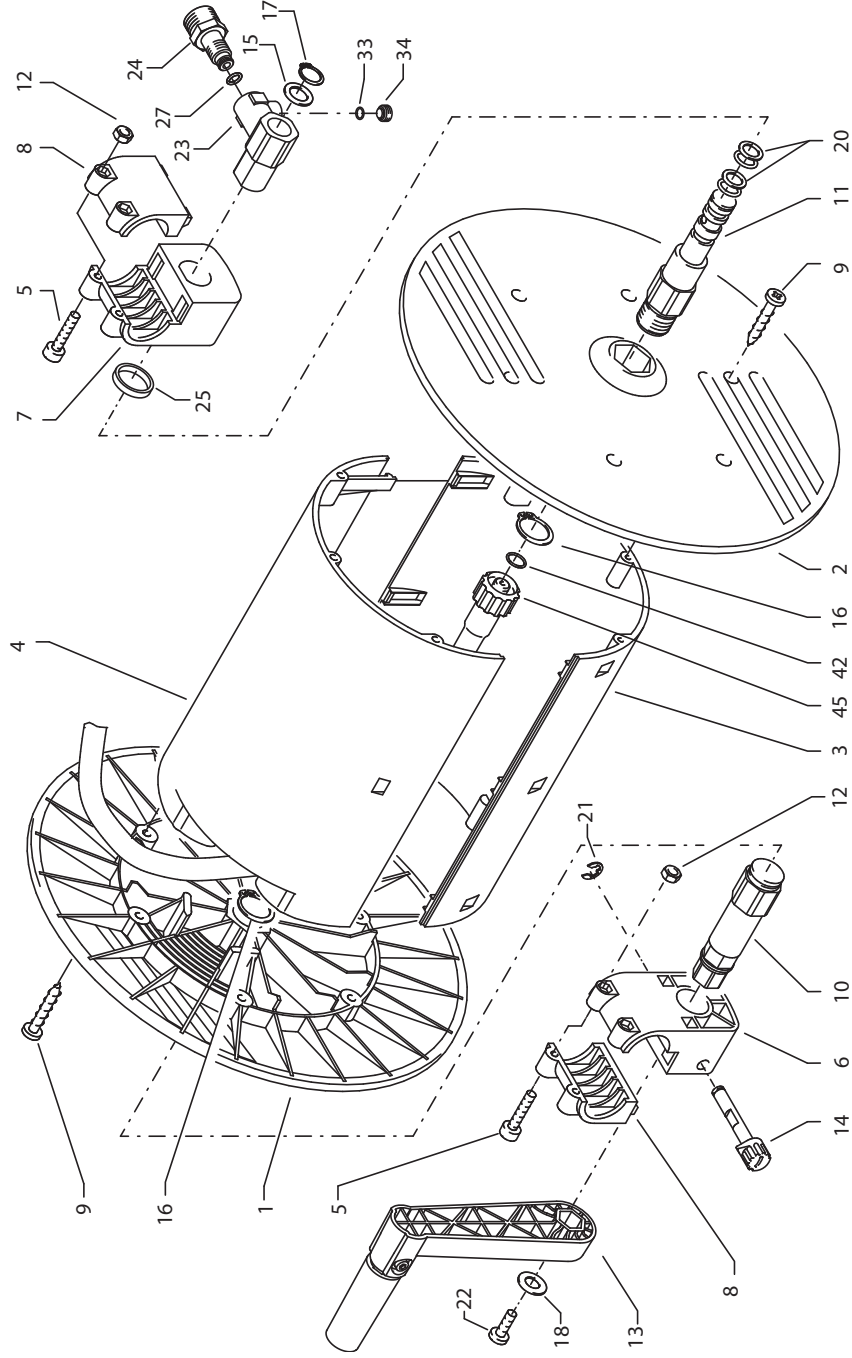
Spare parts list Profi-Jet B 16/220 - B 16/250 - B 20/200
Valve housing AQ-Pump

No.	Description	Qty.	Ord.-No.	No.	Description	Qty.	Ord.-No.
1	Ventilgehäuse AQ mit integr. UL ohne integr. Druckschalter	1	40.521	31	Dichtstopfen M 10 x 1	1	43.043
2	O-Ring 18 x 2	6	40.016	34	Edelstahlkugel Ø10	1	12.122
3	Einlass- / Auslass- Ventil	6	42.024	35	Rückschlagfeder „K“	1	14.120 1
4	O-Ring 21 x 2	6	42.025	37	O-Ring 18 x 2	1	40.016
5	Ventilstopfen	5	42.026	38	Ausgangsstück Injektor ST30 M22x1,5	1	43.447
5.1	Ventilstopfen mit R 1/4" IG	1	42.026 2	49	Steckkupplung kpl. Pos. 48 - 50	1	41.047 4
6	Sicherungsring	4	40.032	50.1	Ventilgehäuse kpl. für Gerät mit Drehzahlregulierung		40.525 0
7	Innensechskantschraube M 12 x 45	4	40.504	50.2	Ventilgehäuse kpl. für Gerät ohne Drehzahlregulierung		40.525 1
8	Sauganschluss R 1/2" AG	1	41.016 1		Repair kit sleeves		40.065 1
9	WassereingangsfILTER	1	41.046 2		consisting of: 3x No. 13; 6x No. 14; 3x No. 15; 3x No. 16; 3x No. 18; 3x No. 20; 3x No. 23		
10	Winkelverschraubung 3/8 x 12 l	1	44.092		Repair kit sleeves without brassparts consisting of: 3x No. 13; 6x No. 14; 3x No. 15; 3x No. 18; 3x No. 23		40.517
13	Gewebemanschette	3	40.023		Repair kit Valves consisting of: 6x No. 2; 6x No. 3; 6x No. 4		40.062 1
14	Backring 20 mm	6	40.025 1				
15	O-Ring 31,42 x 2,62	3	40.508				
16	Leckagering 20 x 36 x 13,3	3	40.509				
17	Cu-Dichting 21 x 28 x 1,5	1	42.039				
18	Gummimanschette	3	40.512				
19	Verschlusschraube R 1/2"	1	42.032				
20	Distanzring mit Abstützung	3	40.507				
23	Druckring 20 mm	3	40.021				
24	Zwischenring 20 mm	3	40.516				
25	O-Ring 11 x 1,5	1	12.256				
26	Edelstahlsitz Ø 7	1	14.118				
27	Sprengring	1	13.147				
29	Dichting 17 x 22 x 1,5 (Kupfer)	1	40.019				
30	Anschlussmuffe 3/8" AG x 3/8" IG bei Ausführung mit Drehzahlregulierung	1	13.136				
30.1	Verschlusschraube 3/8" AG bei Ausführung ohne Drehzahlregulierung	1	40.018				



Spare parts list Profi-Jet B 16/220 - B 16/250 - B 20/200
Unloadervalue AQ-Pump

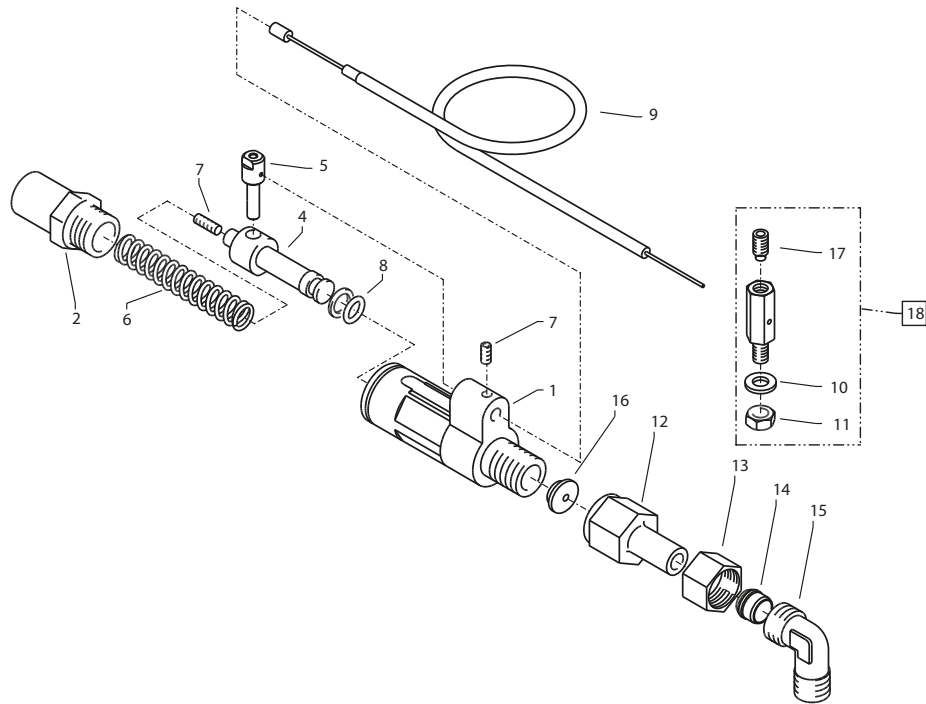
No.	Description	Qty.	Ord.-No.
5	O-Ring 16 x 2	1	13150
5.1	O-Ring 13,94 x 2,62	1	42167
8	O-Ring 11 x 1,44	1	12256
9	Edelstahlsitz	1	14118
10	Sicherungsring	1	13147
11	Edelstahlkugel	1	12245
12	Edelstahlfeder	1	14119
13	Verschlusssschraube	1	14113
14	Steuerkolben	1	14134
15	Parbaks 16 mm	1	13159
16	Parbaks 8 mm	1	14123
17	Spanstift	1	14148
18	Kolbenführung spezial	1	42105
19	Kontermutter M 8 x 1	2	14144
20	Ventilfeder schwarz (B16/220, B20/200)	1	14125
20.1	Ventilfeder rot (B16/250)	1	141251
21	Federdruckscheibe	1	14126
22	Nadellager	1	14146
23	Handrad	1	14147
25	Elastic-Stop-Mutter M 8 x 1	1	14152
26	Manometer 0-400 Bar	1	150394
27	Aluminium-Dichtring	4	13275
53	O-Ring 14 x 2	1	43445
54	Parbaks 4 mm	1	121362
57	Blindverschluss mit Dichtungen	1	44551
58	Parbaks 7 mm	1	15013
70	Steuerkolben kpl. mit Handrad (B16/220, B20/200)		43444
70.1	Steuerkolben kpl. mit Handrad (B16/250)		434441



Spare parts list Profi-Jet B 13/150; B 16/220 - B 16/250
Hose Drum

No.	Description	Qty.	Ord.-No.	No.	Description	Qty.	Ord.-No.
1	Seitenschale Schlauchführung	1	40.302	21	Sicherungsscheibe 6 DIN6799	1	40.315
2	Seitenschale Wasserführung	1	40.301	22	Schraube M 5 x 10	1	43.021
3	Trommel Unterteil	1	40.304	23	Drehgelenk	1	40.167
4	Trommel Oberteil	1	40.303	24	Anschlussstück	1	40.308 1
5	Innensechskantschraube M 4 x 30	4	40.236	25	Distanzring	1	40.316
6	Lagerklotz mit Bremse	1	40.306	27	O-Ring 6,68 x 1,78	1	40.585
7	Lagerklotz links	1	40.305	33	O-Ring 6 x 1,5	1	13.386
8	Klemmstück	2	40.307	34	Stopfen M 10 x 1	1	13.385
9	Kunststoffschraube 5,0 x 20	12	50.157	42	O-Ring 9,3 x 2,4	4	13.273
10	Antriebswelle	1	40.310	45	Hochdruckschlauch 20 m NW 8	1	41.083
11	Welle Wasserführung	1	40.311	Hose Drum kpl.			
12	Elastic-Stop-Mutter M 4	4	40.111	without Schlauch			
13	Handkurbel	1	40.320 0	Hose Drum kpl.			
14	Verriegelungsbolzen	1	40.312	with Schlauch			
15	Scheibe MS 16 x 24 x 2	1	40.181				
16	Wellensicherungsring 22 mm	2	40.117				
17	Wellensicherungsring 16 mm	1	40.182				
18	Unterlegscheibe Ø 6,4	1	50.189				
20	Parbaks 16 mm	2	13.159				

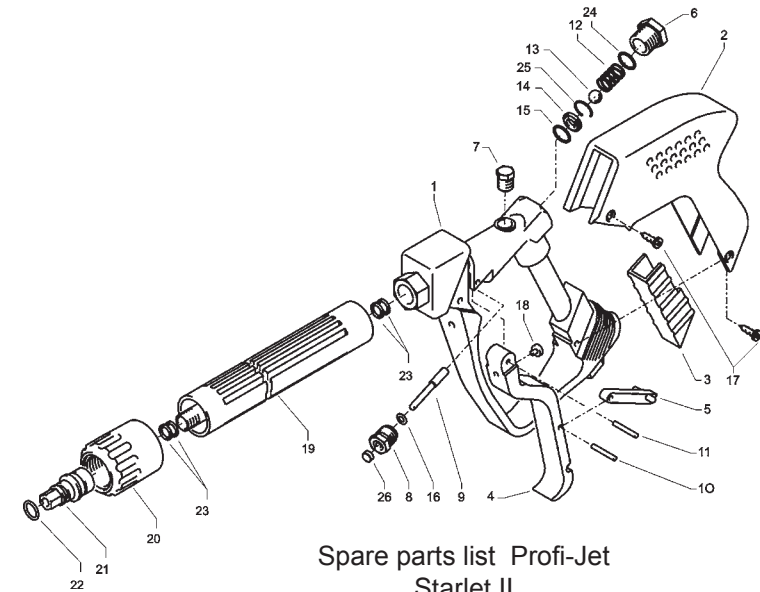
Speed control



Spare parts list Profi-Jet B 16/220 - B 16/250 - B20/200
Speed control

No.	Description	Qty.	Ord.-No.
1	Grundteil	1	42.581
2	Druckhülse	1	42.584
4	Steuerkolben	1	42.582
5	Querbolzen	1	42.583
6	Druckfeder 2,0 x 9,5 x 70	1	42.587
7	Gewindestift M4 x 6 DIN 913-A2	2	42.592
8	Parbaks 7 mm	1	15.013
9	Bowdenzug	1	42.586
10	Unterlegscheibe 6,4 DIN 125	1	50.189
11	Sechskantmutter M6	1	14.152 1
12	Anschlussmuffe Drehzahlregulierung	1	42.585
13	Überwurfmutter	1	40.075
14	Klemmhülse	1	40.074
15	Winkelverschraubung 3/8"x 12l	1	44.092
16	Drosselscheibe	1	42.589
17	Gewindestift M 6 x 12 DIN915	1	42.590
18	Klemmbolzen	1	42.591 1
	Drehzahlregulierung kpl.	1	42.580

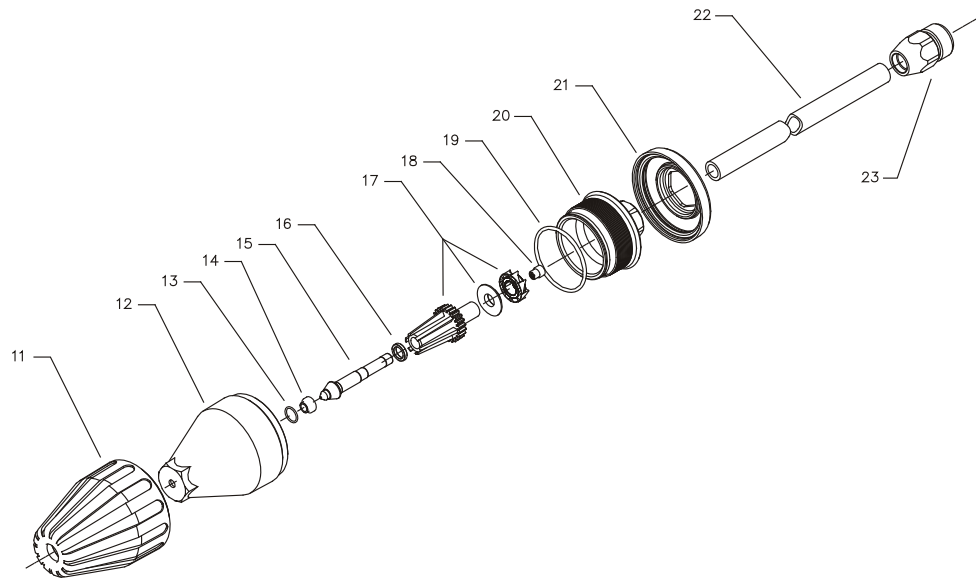
Starlet II - Pistole



Spare parts list Profi-Jet
Starlet II

No.	Description	Qty.	Ord.-No.
1	Ventilkörper mit Handgriff	1	12.294
2	Schutzhülse	1	12.295
3	Abdeckschutz	1	12.296
4	Abzugshebel grau	1	12.298 3
5	Sicherungshebel	1	12.149
6	Abschlusschraube M 16 x 1	1	12.247
7	Stopfen	1	12.287
8	Gewindeführungshülse 3mm R1/4" AG	1	12.250 1
9	Aufsteuerbolzen abgesetzt 3mm	1	12.284 1
10	Stift	1	12.148
11	Lagernadel	1	12.253
12	Edelstahlfeder	1	12.246
13	Edelstahlkugel	1	12.245
14	Edelstahlsitz	1	14.118
15	O-Ring 11 x 1,44	1	12.256
16	O-Ring 2,84 x 2,62	1	12.136 1
17	Blechschrabe 3,9 x 8,5	4	41.079
18	Druckstück	1	12.252
19	Rohr kunststoffumspritzt bds. R 1/4" AG	1	15.004 5
20	Überwurfmutter ST30 M 22 x 1,5 IG	1	13.276 1
21	Außen-Sechskant-Nippel R 1/4" IG	1	13.277 1
22	O-Ring 9,3 x 2,4	1	13.273
23	Aluminium-Dichtring	4	13.275
24	O-Ring 15 x 1,5	1	12.129 1
25	Sicherungsring	1	13.147
26	Gleitbüchse 3mm	1	12.289 1
	Starlet - Gun with extention		12.320 2
	Repair kit „Starlet II“ consisting of No. 9,10,13,14,15		12.299

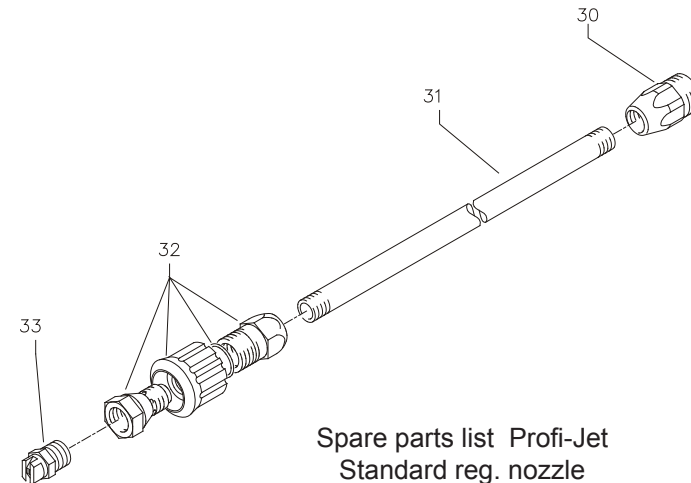
Turbokiller



Spare parts list Profi-Jet
Turbokiller

No.	Description	Qty.	Ord.-No.
11	Sprühkörperschutz	1	41.528
12	Sprühkörper	1	41.529
13	O-Ring 6,86 x 1,78	1	41.521
14	Düsensitz	1	41.522
15	Düse 055	1	41.532
16	Ring	1	41.533
17	Rotor	1	41.534
18	Stabilisator	1	41.524
19	O-Ring 41 x 1,78	1	41.538
20	Deckel	1	41.539
21	Deckelschutz	1	41.540
22	Rohr 500 mm lang; bds. R1/4"	1	12.385 1
23	Nippel M22x1,5 x R1/4" IG	1	13.370
	Turbokiller 05 kpl. (B16/220)		41.580-05
	Turbokiller 045 kpl. (B16/250)		41.072 3
	Turbokiller 07 kpl. (B20/200)		41.072 7
	Rep.-Satz Turbokiller 055 (B16/220)		41.097 1
	Rep.-Satz Turbokiller 045 (B16/250)		41.097 6
	Rep.-Satz Turbokiller 07 (B20/200)		41.097 2

Standard regulation nozzle



Spare parts list Profi-Jet
Standard reg. nozzle

No.	Description	Qty.	Ord.-No.
30	Nippel ST30 M22x1,5 AG / M 12 x 1	1	13.363
31	Rohr 400 mm, bds. M 12 x 1	1	15.002
32	Regeldüse mit Reguliererring	1	13.201 2
33	Flachstrahldüse		
	2505 (B13/150, B16/220)	1	D2505
33.1	Flachstrahldüse		
	25045 (B16/250)	1	D25045
33.2	Flachstrahldüse		
	2507 (B20/200)	1	D2507

Guarantee

The guarantee is only valid for material and manufacturing errors. Wearing does not fall within this guarantee.

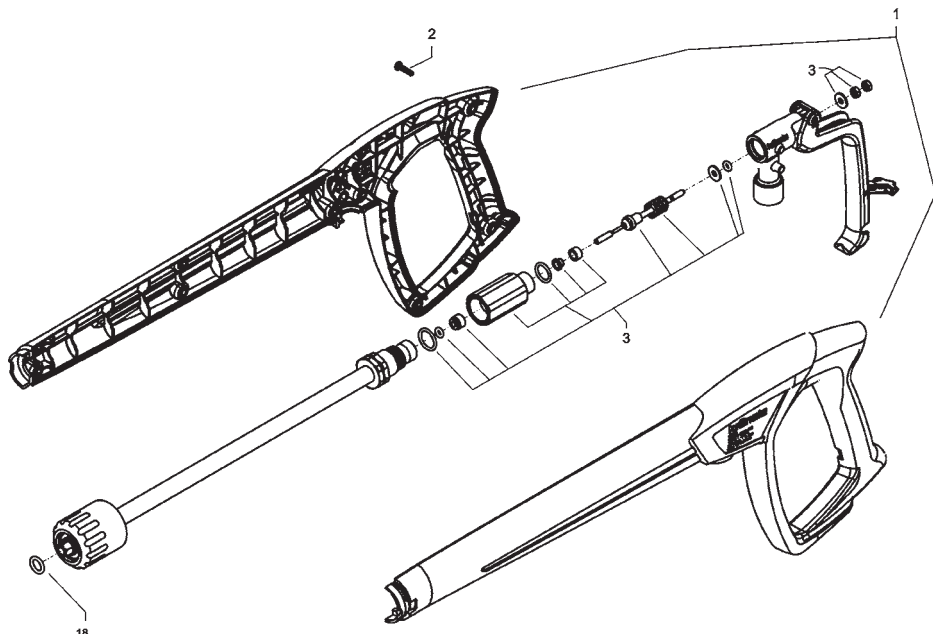
The instructions in our operating manual must be complied with. The operating instructions form part of the guarantee. The Guarantee is void if other parts are used than genuine Kränzle accessory parts or genuine Kränzle spare parts.

For high-pressure cleaners sold to the user the guarantee period is 24 month.

For high-pressure cleaners sold for industrial use the guarantee period is 12 month. In the case of a guarantee please contact your dealer or authorized seller delivering accessories and your purchase receipt. You can find them in the internet under www.kraenzle.com.

The guarantee is also void if the machine is used with exceeding the temperature and speed limits, a voltage below the required rating, with less than the required amount of water or with dirty water. Pressure gauge, nozzle, valves, sleeves, high pressure hose and spray equipment are wear parts and are not covered by the warranty.

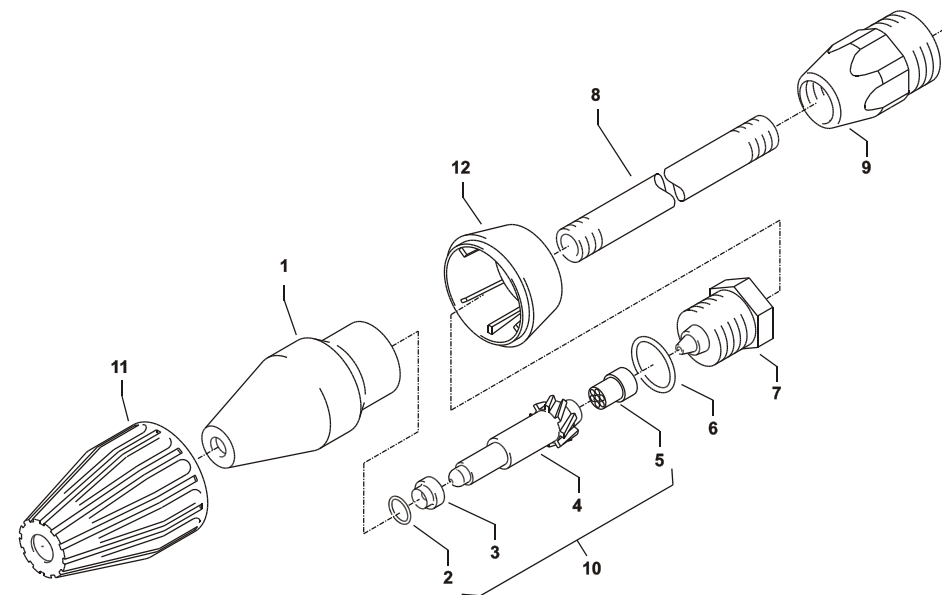
M2000 - Gun



Spare parts list M2000-Gun

No.	Description	Qty.	Ord.-No.
1	Pistolschale re+li	1	12.450
2	Schraube 3,5 x 14	10	44.525
3	Reparatursatz M2000		12.454
18	O-Ring 9,3 x 2,4	1	13.273
Pistole M2000			12.480

Dirtkiller



No.	Description	Qty.	Ord.-No.
1	Sprühkörper	1	41.520
2	O-Ring 6,88 x 1,68	1	41.521
3	Düsensitz	1	41.522
4	Düse 055 (B13/150)	1	41.523 3
4.1	Düse 03 (B 10/200)	1	41.523 4
5	Stabilisator	1	41.524
6	O-Ring	1	40.016 1
7	Sprühstopfen	1	41.526
8	Rohr 400 mm 2x M 12 x 1	1	41.527
9	ST 30-Nippel M 22 x 1,5 / M 12 x 1 ISK	1	13.363
Rep.-Satz Schmutzkiller 055 (B13/150) bestehend aus je 1x 2; 3; 4; 5			41.097 8
Rep.-Satz Schmutzkiller 03 (B13/150) bestehend aus je 1x 2; 3; 4.1; 5			41.096 1
Schmutzkiller 055 mit Lanze (B13/150)			41.570-055
Schmutzkiller 03 mit Lanze (B10/200)			41.570-03

Inspirection report

for KRÄNZLE - High Pressure Cleaners

Regular inspection every 12 months if used professionally!

Appliance No:

Type:

The following must be checked:

1. Safety features

2. General condition

- a) Manometer
- b) Safety valve (pressure control)
- c) Operating pressure
- d) Cut out pressure (max. 10% above operating pressure)
- e) Low pressure with trigger released

- a) High pressure hose
- b) Spray gun
- c) Motor
- d) Oil level

The information in the operating instructions are a part of the inspection

Result of inspection:	Date of inspection:	Faults rectified, Stamp and signature
<input type="text"/>	<input type="text"/>	<input type="text"/>
<input type="text"/>	<input type="text"/>	<input type="text"/>
<input type="text"/>	<input type="text"/>	<input type="text"/>

Excerpt from the Guidelines for Liquid Spray Equipment (ZH 1/46) by the Central Office of the Professional Trade Association.

Inspection:

Liquid spray equipment should be inspected for safe operation by a qualified person whenever necessary, but no less than every 12 months. The maker's or supplier's instructions must be followed. The inspection intervals may be extended if the equipment is not in active use.

In Germany, inspections compliant with the (German) Emission Controls Act may be required for oil and gas-fired equipment, and the owner must arrange for these to be carried out independently of the main inspection.

The results of inspections must be recorded in writing and presented to the respective authorities on demand. There is no set form for these records.

EC declaration of conformity

We hereby declare, that the high-pressure models:

Kränzle B 10/200; B 13/150
Kränzle B 16/220; B 16/250; B20/200

Nominal flow

B 10/200: 600 l/h
B 13/150: 780 l/h
B 16/220; B 16/250: 960 l/h
B 20/200: 1200l/h

(techn. documentation available from):

**Manfred Bauer, Fa. Josef Kränzle
Rudolf-Diesel-Str. 20, 89257 Illertissen**

comply with the following guidelines and specifications and their amendments for high-pressure cleaners:

**Machine guideline 2006/42/EEC
Specification for electromagnetic compatibility 2004/108/EEC
Outdoor noise directive 2005/88/EC, Art. 13, High-pressure water jet machines Appendix 3, part B, chapter 27**

Sound power level

measured:
guaranteed:

**100 dB (A)
103 dB (A)**

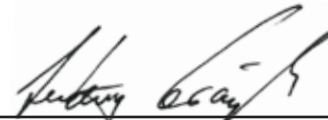
Applied conformity evaluation procedures

annex V, noise directive 2005/88/EC

Applied specifications and standards:

**EN 60 335-2-79 :2009
EN 55 014-1 :2006
EN 61 000-3-2 :2006
EN 61 000-3-3 :2008**

Josef Kränzle GmbH & Co. KG
Rudolf-Diesel-Straße 20
D - 89257 Illertissen



Ludwig Kränzle
(Geschäftsführer)

Illertissen, den 12.01.17



Josef Kränzle GmbH & Co. KG

Rudolf-Diesel-Straße 20
89257 Illertissen (Germany)

sales@kraenzle.com

As date of 16.10.2018, Order no. 30212 1
Subject to technical modifications.

■ **Made**
■ **in**
■ **Germany**